



## PIXELS CONNECT PTE LTD

### Embedded RFID Access PIX-PCE1

- \* Embedded design with mini size
- \* Metal case and waterproof, conform to IP66
- \* User capacity: 3000 cards
- \* Card type: 125KHz EM card
- \* One programmable relay operation
- \* Latch mode to hold door or gate open
- \* Tri-colour LED status display

The device is a mini metal case standalone RFID access control with embedded design, It is an ideal choice to install on door frame.



—  
Embedded RFID  
Access Control

—  
Embedded Design





PIXELS CONNECT PTE LTD



---

Mini Size But Support  
3000 EM Card Users  
Master Card Make it  
Easy Operation

---

IP66 Waterproof



---

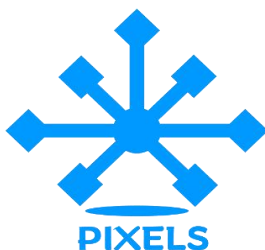
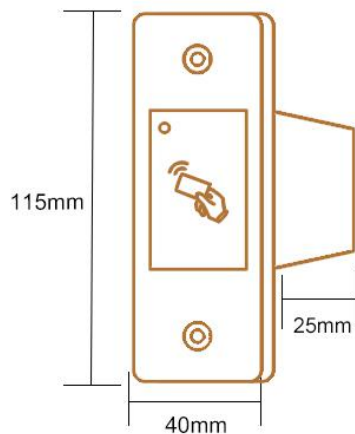
Brushed Metal Case



## PIXELS CONNECT PTE LTD

|                              |                                  |
|------------------------------|----------------------------------|
| <b>User Capacity</b>         | 3000 cards                       |
| <b>Operating Voltage</b>     | <b>9~24V DC</b>                  |
| Idle Current                 | ≤25mA                            |
| Active Current               | ≤100                             |
| <b>Proximity Card Reader</b> | <b>EM</b>                        |
| Radio Technology             | 125KHz Proximity Card            |
| Read Range                   | 0~2 cm                           |
| <b>Wiring Connections</b>    | Relay output, exit button        |
| <b>Relay</b>                 | <b>One (NO, NC, Common)</b>      |
| Adjustable Relay Output Time | 0~99 Seconds (5 seconds default) |
| Lock Output Load             | 2 Amp Maximum                    |
| <b>Environment</b>           | <b>Meets IP66</b>                |
| Operating Temperature        | -40°C ~ 60°C (-40°F ~ 140°F)     |
| Operating Humidity           | 20%RH ~ 99%RH                    |
| <b>Physical</b>              | Stainless Steel                  |
| Color                        | Silver & Black                   |
| Dimensions                   | L115* W40 * H25 (mm)             |
| Unit Weight                  | 105g                             |
| Shipping Weight              | 185g                             |

### Product Size



Analog Camera, IP Camera  
Dome & Bullet Cameras  
Hidden Cameras  
4K Cameras  
PTZ Cameras



Panoramic Camera  
4K Action Camera | Car Cameras  
Battery Cameras  
WiFi Door Bells  
Hidden Cameras



Fingerprint | Face | Card |  
Access PIN Reader  
Electromagnetic Lock  
Exit Button | Break Glass  
Video Door Intercom



## PIXELS CONNECT PTE LTD

1013, Geylang East Ave 3, #01-144 Singapore 389728

pixelsconnect@gmail.com | www.pixelsconnect.com.sg | Tel:+65 6440 0023