



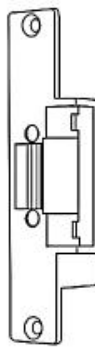
PIXELS CONNECT PTE LTD

Electric Strike PIX-PCXlock 3

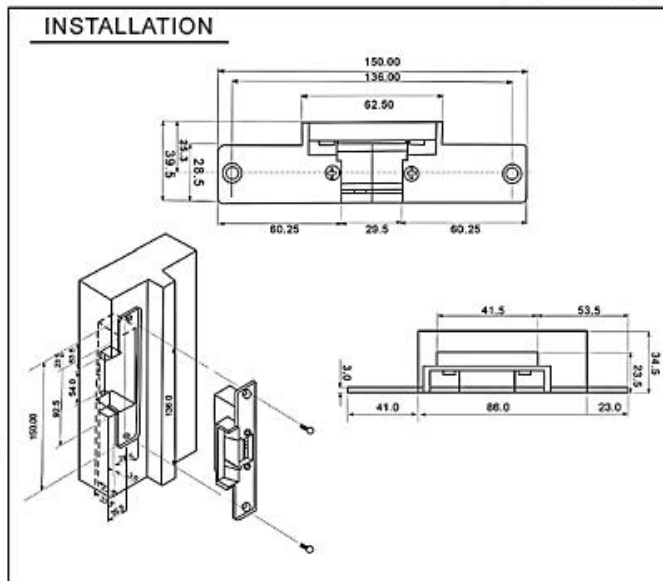
- * Fail secure or fail safe option
- * Holding force: 500kg
- * Dimension: 15L x 3.95W x 3.4H (cm)
- * 500Kg Holding Force Electric Strike Door Lock



ELECTRIC STRIKE MODEL:



INSTALLATION

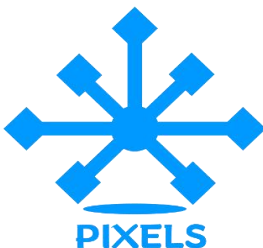


SPECIFICATION
FACE PLATE:150Lx39.5Wx28H(MM)
VOLTAGE:12VDC
CURRENT:450mA 280mA
FEATURE:FAIL SECURE(NO) FAIL-SAFE(NC)
COLOR:GOLDEN OR GREY



PIXELS CONNECT PTE LTD

Product Parameter	Parameter Description
Lock Size	15L x 3.95W x 3.4H (cm)
Standard structure	Stainless steel
Holding Force	500kg
Voltage	12V DC
Current	200mA
Feature	Fail secure or Fail safe
Suitable For	Wooden door, metal door, PVC door
Surface Temperature	Within +20°C
Suitable Temperature	-10 °C ~ 55 °C (14 °F ~ 131 °F)
Operating Humidity	0%~ 90%(non-condensing)
Face plate Housing	Painted steel
Bolt Housing	Stainless steel, draw the polishing of silk
Function	Built-out MOV
Weight	0.4kg



CCTV

Analog Camera, IP Camera
Dome & Bullet Cameras
Hidden Cameras
4K Cameras
PTZ Cameras



Wireless Cameras

Panoramic Camera
4K Action Camera | Car Cameras
Battery Cameras
WiFi Door Bells
Hidden Cameras



Biometric Devices

Fingerprint | Face | Card |
Access PIN Reader
Electromagnetic Lock
Exit Button | Break Glass
Video Door Intercom



PIXELS CONNECT PTE LTD

1013, Geylang East Ave 3, #01-144 Singapore 389728

pixelsconnect@gmail.com | www.pixelsconnect.com.sg | Tel:+65 6440 0023