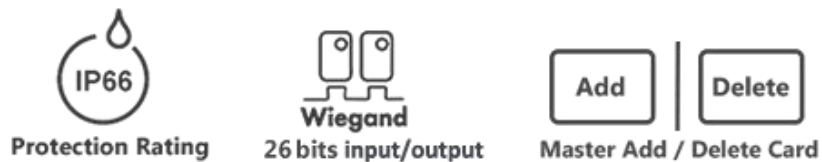




PIXELS CONNECT PTE LTD

Outdoor Keypad & EM Reader
PIX-PCSK4-W

- * Waterproof, conforms to IP66
- * One relay, 1000 users (990 Normal Users + 10 Visitor Users)
- * 3 access modes: Card, PIN, Card + PIN
- * Card type: 125KHZ EM card
- * PIN length: 4~6 digits
- * Wiegand 26 bits input & output
- * Facility code programmable
- * Latch mode to hold door or gate open
- * Working Temperature: -40°C ~ 60 °C (-40 °F ~ 140 °F)



The PIX-PCSK4-W is a single-entry Access Control with integrated keypad and card reader. It supports up to 1000 users in multiple access configurations(Card,PIN,or Card+PIN). The built in card reader supports EM 125KHz frequency cards with wiegand 26bits input & output.

Have visitors?

No worry, use our SK4-W
It supports 10 visitor PINs
Can set valid for 1~10 times

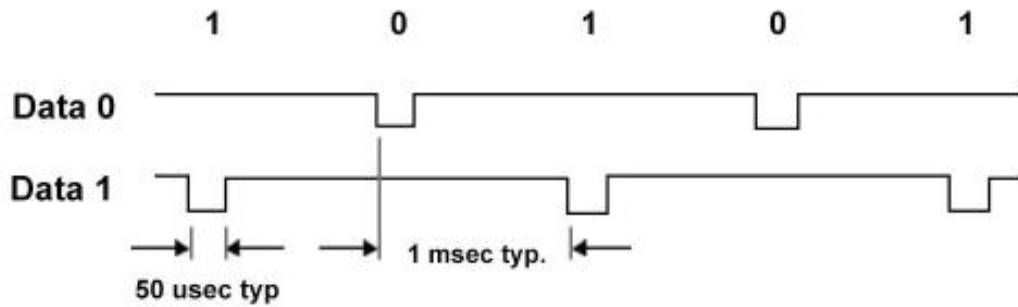


PIXELS CONNECT PTE LTD



IP66 Waterproof

-40°C
Operating Temperature



Wiegand 26 bits input & output



PIXELS CONNECT PTE LTD



Wide Voltage Range:

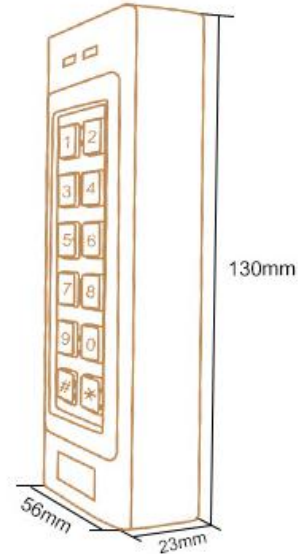
12 ~ 28
VOLTS VOLTS

User Capacity	1000 Card/PIN (990 Normal Users + 10 Visitor Users)
Operating Voltage Idle Current Active Current	12~28V AC/DC 55mA 80mA
Keypad PIN length	12 Key (2*6) 4 ~ 6 digits
Proximity Card Reader Radio Technology Read Range	EM 125KHz Industry Standard Proximity Card 3 ~ 6 cm
Wiring Connections	Electric lock, exit button, DOTL, external alarm, Wiegand (in/out)
Relay Adjustable Relay Output Time Adjustable Alarm Output Time Lock Output Load Alarm Output Load	ONE (NO, NC, COM) 1 ~ 99 Seconds (5 seconds default) 1 ~3 minutes (1 minute default) 3 Amp Maximum 3 Amp Maximum
Wiegand Interface	Wiegand 26 bit input/output
Environment Operating Temperature Operating Humidity	Meets IP66 -40°C ~ 60 °C (-40 °F ~ 140 °F) 10% ~ 90% Non-Condensing
Physical Surface Finish Dimensions Unit Weight Shipping Weight	Zinc-Alloy Enclosure Powder Coat 13.0L x 5.6W x 2.3H (cm) 500g 650g



PIXELS CONNECT PTE LTD

Product Size



CCTV

Analog Camera, IP Camera
Dome & Bullet Cameras
Hidden Cameras
4K Cameras
PTZ Cameras



**Wireless
Cameras**

Panoramic Camera
4K Action Camera | Car Cameras
Battery Cameras
WiFi Door Bells
Hidden Cameras



**Biometric
Devices**

Fingerprint | Face | Card |
Access PIN Reader
Electromagnetic Lock
Exit Button | Break Glass
Video Door Intercom



PIXELS CONNECT PTE LTD

1013, Geylang East Ave 3, #01-144 Singapore 389728

pixelsconnect@gmail.com | www.pixelsconnect.com.sg | Tel:+65 6440 0023