



PIXELS CONNECT PTE LTD

Mini Fingerprint Access Control PIX-PCSF8

- * Metal case,anti-vandal
- * One Programming relay output
- * Multi-color LED Status Display
- * 1000 Users (100 Fingerprint Users + 890 Card Users + 10 Visitor User)
- * Card type: 125KHz EM card
- * Mini Size: L105 x W69 x H20 mm
- * Capacitive Fingerprint Sensor



Mini size



1,000 Users



Waterproof



Card/Fingerprint

PIX-PCSF8 is Standalone fingerprint mini access control.IP66 waterproof version is very suitable for outdoor use,with the mini design,it is an ideal choice to install on door frame.



Mini Size: 105 x 69x 20mm



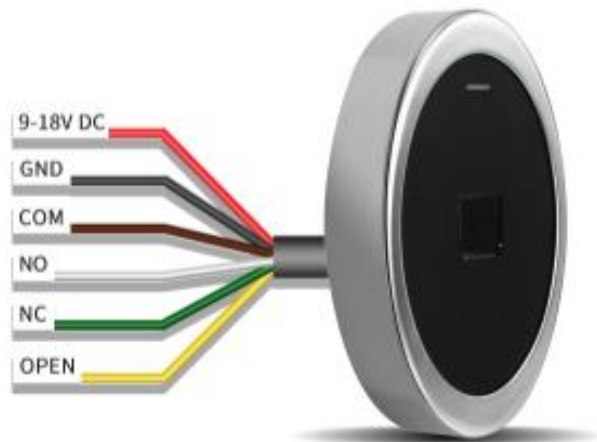
PIXELS CONNECT PTE LTD

Card Type
125KHZ EM Card
1000 Users
990 Card / Fingerprint Users
10 Visitor Users



Waterproof, conforms to IP66

6 wires, easy installing





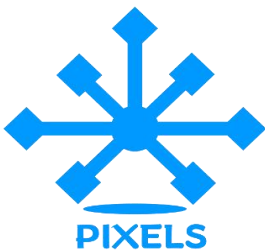
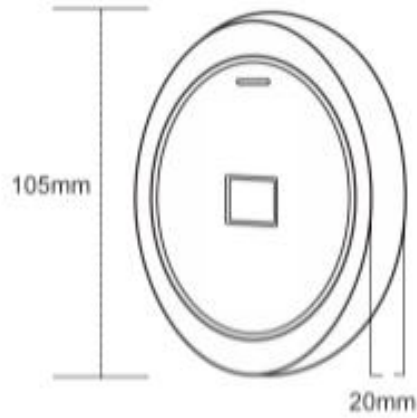
PIXELS CONNECT PTE LTD

User Capacity Fingerprint Card Visitor	1000 100 890 10
Operating Voltage Idle Current	12V DC < 45mA
Proximity Card Reader Radio Technology Read Range	EM 125KHz Proximity Card 1~4 cm
Fingerprint Reader Resolution Identification time FAR FRR	Capacitive Fingerprint Module 500DPI <1S <1% <0.001%
Wiring Connections	Relay output, exit button
Relay Adjustable Relay Output Time Lock Output Load	One (NO, NC, Common) 0~99 Seconds (5 seconds default) 2 Amp Maximum
Environment Operating Temperature Operating Humidity	Meets IP66 -25°C ~ 60°C (-13°F ~ 140°F) 10%RH ~ 99%RH
Physical Color Dimensions Unit Weight Shipping Weight	Zinc-Alloy Silver & Black L105 x W69 x H20 mm 220g 280g



PIXELS CONNECT PTE LTD

Product Size



CCTV
Analog Camera, IP Camera
Dome & Bullet Cameras
Hidden Cameras
4K Cameras
PTZ Cameras



**Wireless
Cameras**
Panoramic Camera
4K Action Camera | Car Cameras
Battery Cameras
WiFi Door Bells
Hidden Cameras



**Biometric
Devices**
Fingerprint | Face | Card |
Access PIN Reader
Electromagnetic Lock
Exit Button | Break Glass
Video Door Intercom



PIXELS CONNECT PTE LTD

1013, Geylang East Ave 3, #01-144 Singapore 389728

pixelsconnect@gmail.com | www.pixelsconnect.com.sg | Tel:+65 6440 0023