



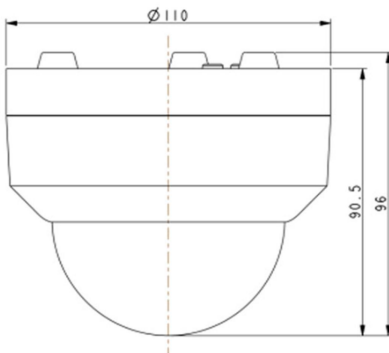
PIXELS CONNECT PTE LTD



◆ SPECIFICATION

Model	PTDAHTC2004XNS	
<b>Camera</b>		
Image Sensor	1/2.9" SONY 2.1MP CMOS Sensor	
Image Resolution	2MP	
TV System	PAL/NTSC	
S/N Ratio	>50db	
<b>PTZ</b>		
Horizontal Rotation Speed	20°/S	
Horizontal Rotation Range	0°~350°	
Tilt Rotation Speed	25°/s	
Tilt Rotation Range	0°~70°	
Preset Points	220	
Guard Tours	8 groups	
Guard Points	Max.16 points	
<b>Lens</b>		
Focus Length	2.8mm-12mm	
Focus Control	4X Optical Zoom	
<b>Night Vision</b>		
Infrared LED	∅ 35x4PCS	
IR Range	35m	
Day-night mode	AUTO	
<b>Communication</b>		
UTC	Support	
RS485	Support	
<b>Interface</b>		
Audio	/	
Alarm	/	
<b>General</b>		
Weatherproof	IP66	
Operating Temperature	Indoor: 0°~ +40° Outdoor: -40°~ +60°	
Operating Humidity	≤90% Non Condensing	
Power	DC12V 2A	
Lightning Protection	Transient voltage 3000V	
Size of Package (LxWxH)	14x14x13(cm)	
Weight	1.1Kgs	

Made in Taiwan



Analog Camera, IP Camera, Dome & Bullet Cameras, Hidden Cameras, 4K Cameras, PTZ Cameras



Panoramic Camera, 4K Action Camera, Car Cameras, Battery Cameras, WiFi Door Bells, Hidden Cameras



Fingerprint | Face | Card | Access PIN Reader, Electromagnetic Lock, Exit Button | Break Glass, Video Door Intercom



PIXELS CONNECT PTE LTD

1013, Geylang East Ave 3, #01-144 Singapore 389728

pixelsconnect@gmail.com | www.pixelsconnect.com.sg | Tel:+65 6440 0023