



PIXELS CONNECT PTE LTD



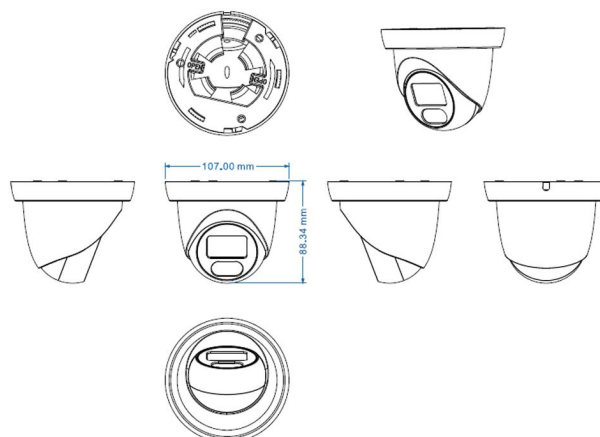
◆ SPECIFICATION

Model NO.	PIX-PCKSCBHTC800ESL	PIX-PCKSCBHTC800ES	PIX-PCKSCBHTC800FKE
Video Output Mode	AHD: 8M@15fps, 5M@20fps/12.5fps, 4M/2M@30fps/25fps; CVI: 8M@15fps/12.5fps, 4M/2M@30fps/25fps TVI: 8M@15fps/12.5fps, 5M@20fps/12.5fps, 4M/2M@30fps/25fps;	AHD/TVI/CVI: 8M@15fps/12.5fps, 4M/2M@30fps/25fps	AHD: 8M@15fps, 5M@20fps/12.5fps, 4M/2M@30fps/25fps; TVI/CVI: 8M@15fps/12.5fps, 5M@20fps/12.5fps 4M/2M@30fps/25fps
Camera			
Image Sensor	1/2.8" SONY Starvis Back-illuminated CMOS sensor	1/2.8" SONY CMOS sensor	1/2.5" CMOS sensor
Image Resolution	8M:3840*2160 5M:2592*1944 4M:2560*1440 2M:1920*1080	8M:3840*2160 4M:2560*1440 2M:1920*1080	8M:3840*2160 5M:2592*1944 4M:2560*1440 2M:1920*1080
TV System	PAL/NTSC	PAL/NTSC	PAL/NTSC
Electronic Shutter	Auto	Auto	Auto
Scanning System	Progressive Scan	Progressive Scan	Progressive Scan
Lens			
Focus Length	Board Lens 3.6mm	Board Lens 3.6mm	Board Lens 3.6mm
Focus Control	Fixed	Fixed	Fixed
Lens Type	Fixed	Fixed	Fixed
Night Vision			
IR Cut Filter	YES	YES	YES
Infrared LED	20μ x2PCS	20μ x2PCS	20μ x2PCS
Infrared Distance	25M	25M	25M
IR Status	AGC Auto Control	AGC Auto Control	AGC Auto Control

Camera Features			
Starlight	/	/	/
Day/Night	YES	YES	YES
OSD Menu	YES	YES	YES
WDR	YES	YES	DWDR
UTC	YES	YES	YES
Noise Reduction	3DNR	3DNR	DNR
Coaxial Audio	/	/	YES(only TVI)
White Balance	AUTO / MANUAL	AUTO / MANUAL	AUTO / MANUAL
Gain Control	AUTO	AUTO	AUTO

General			
Housing	IP67	IP67	IP67
Bracket	NO	NO	NO
Operation Temperature	-10°C ~ +60°C RH95% Max	-10°C ~ +60°C RH95% Max	-10°C ~ +60°C RH95% Max
Storage Temperature	-20°C ~ +60°C RH95% Max	-20°C ~ +60°C RH95% Max	-20°C ~ +60°C RH95% Max
Power Source	DC12V±10%,500mA	DC12V±10%,500mA	DC12V±10%,500mA
Dimension	∅ 108x85(H)mm	∅ 108x85(H)mm	∅ 108x85(H)mm
Weight	400g	400g	400g

Made In Taiwan



CCTV

Analog Camera, IP Camera
Dome & Bullet Cameras
Hidden Cameras
4K Cameras
PTZ Cameras



**Wireless
Cameras**

Panoramic Camera
4K Action Camera | Car Cameras
Battery Cameras
WiFi Door Bells
Hidden Cameras



**Biometric
Devices**

Fingerprint | Face | Card |
Access PIN Reader
Electromagnetic Lock
Exit Button | Break Glass
Video Door Intercom



PIXELS CONNECT PTE LTD

1013, Geylang East Ave 3, #01-144 Singapore 389728

pixelsconnect@gmail.com | www.pixelsconnect.com.sg | Tel:+65 6440 0023