



## PIXELS CONNECT PTE LTD

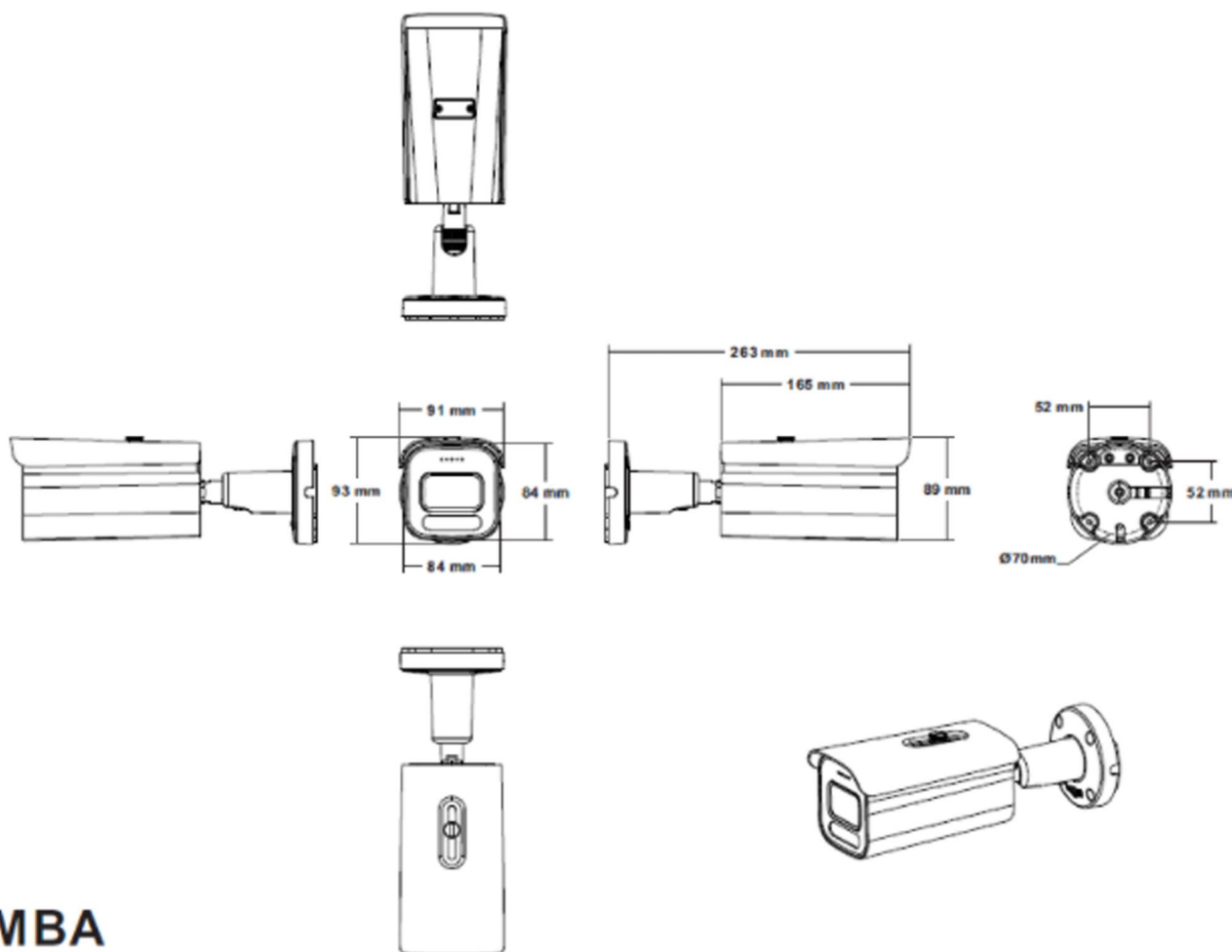


### ◆ SPECIFICATION

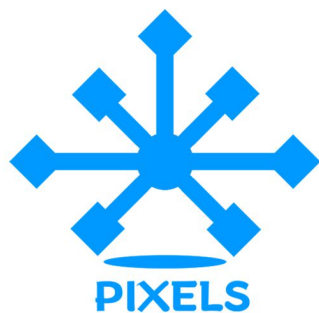
Model NO.	PIX-PCKMBAHTC8005XESL	PIX-PCKMBAHTC8004XES
Video Output Mode	AHD: 8M@15fps, 5M@20fps/12.5fps, 4M/2M@30fps/25fps; CVI: 8M@15fps/12.5fps, 4M/2M@30fps/25fps TVI: 8M@15fps/12.5fps, 5M@20fps/12.5fps, 4M/2M@30fps/25fps;	AHD: 8M@15fps, 2M@30fps; TVI/CVI: 8M@15fps/12.5fps, 2M@30fps
<b>Camera</b>		
Image Sensor	1/2.8" SONY Starvis Back-illuminated CMOS sensor	1/2.8" SONY CMOS sensor
Resolution	8M:3840*2160 5M:2592*1944 4M:2560*1440 2M:1920*1080	8M:3840*2160 4M:2560*1440 2M:1920*1080
TV System	PAL/NTSC	PAL/NTSC
Electronic Shutter	Auto	Auto
Scanning System	Progressive Scan	Progressive Scan
<b>Lens</b>		
Focus Length	2.7-13.5mm Motor Zoom	2.7-13.5mm Motor Zoom
Focus Control	Auto	Auto
Lens Type	Auto	Auto
<b>Night Vision</b>		
IR Cut Filter	YES	YES
Infrared LED	42μ x 4PCS	42μ x 4PCS
Infrared Distance	40M	40M
IR Status	AGC Auto Control	AGC Auto Control
<b>Camera Features</b>		
Starlight	/	/
Day/Night	YES	YES
OSD Menu	YES	YES
WDR	YES	YES

UTC	YES	YES
Noise Reduction	3DNR	3DNR
White Balance	AUTO / MANUAL	AUTO / MANUAL
Gain Control	AUTO	AUTO
<b>General</b>		
Housing	IP67	IP67
Bracket	YES	YES
Operation Temperature	-10°C ~ +60°C RH95% Max	-10°C ~ +60°C RH95% Max
Storage Temperature	-20°C ~ +60°C RH95% Max	-20°C ~ +60°C RH95% Max
Power Source	DC12V±10%,750mA	DC12V±10%,750mA
Dimension	93(W) x 91(H) x 263(D)mm	93(W) x 91(H) x 263(D)mm
Weight	1.45Kgs	1.45Kgs

Made in Taiwan



**MBA**



**CCTV**

Analog Camera, IP Camera  
Dome & Bullet Cameras  
Hidden Cameras  
4K Cameras  
PTZ Cameras



**Wireless  
Cameras**

Panoramic Camera  
4K Action Camera | Car Cameras  
Battery Cameras  
WiFi Door Bells  
Hidden Cameras



**Biometric  
Devices**

Fingerprint | Face | Card |  
Access PIN Reader  
Electromagnetic Lock  
Exit Button | Break Glass  
Video Door Intercom



**PIXELS CONNECT PTE LTD**

1013, Geylang East Ave 3, #01-144 Singapore 389728

pixelsconnect@gmail.com | www.pixelsconnect.com.sg | Tel:+65 6440 0023