



PIXELS CONNECT PTE LTD



◆ SPECIFICATION

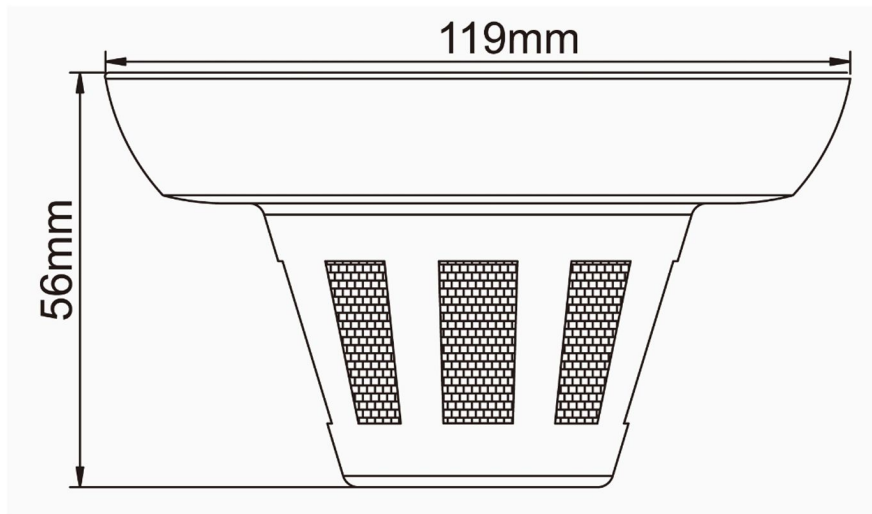
Model NO.	PIX-PCKHSD1HTC800FKE
Video Output Mode	AHD: 8M@15fps, 5M@20fps/12.5fps, 4M/2M@30fps/25fps; TVI/CVI: 8M@15fps/12.5fps, 5M@20fps/12.5fps, 4M/2M@30fps/25fps
Camera	
Image Sensor	1/2.5" CMOS sensor
Image Resolution	8M:3840*2160 5M:2592*1944 4M:2560*1440 2M:1920*1080
Electronic Shutter	PAL/NTSC
TV System	Auto
Scanning System	Progressive Scan
Lens	
Focus Length	/
Focus Control	/
Lens Type	/
NightVision	
IR Cut Filter	YES
Infrared LED	/
Infrared Distance	/
IR Status	AGC auto control
CameraFeatures	
Starlight	/
Day/Night	YES
OSD Menu	YES

WDR	DWDR
UTC	YES
Noise Reduction	DNR
Coaxial Audio	YES(only TVI)
White Balance	AUTO / MANUAL
Gain Control	AUTO

General

Housing	/
Bracket	NO
Operation Temperature	-10°C ~ +60°C RH95% Max
Storage Temperature	-20°C ~ +60°C RH95% Max
Power Source	DC12V±10%,150mA
Dimension	∅ 119 x 56(H) mm
Weight	350g

Made In Taiwan



CCTV
 Analog Camera, IP Camera
 Dome & Bullet Cameras
 Hidden Cameras
 4K Cameras
 PTZ Cameras



Wireless Cameras
 Panoramic Camera
 4K Action Camera | Car Cameras
 Battery Cameras
 WiFi Door Bells
 Hidden Cameras



Biometric Devices
 Fingerprint | Face | Card |
 Access PIN Reader
 Electromagnetic Lock
 Exit Button | Break Glass
 Video Door Intercom



PIXELS CONNECT PTE LTD

1013, Geylang East Ave 3, #01-144 Singapore 389728

pixelsconnect@gmail.com | www.pixelsconnect.com.sg | Tel:+65 6440 0023