



PIXELS CONNECT PTE LTD



◆ SPECIFICATION

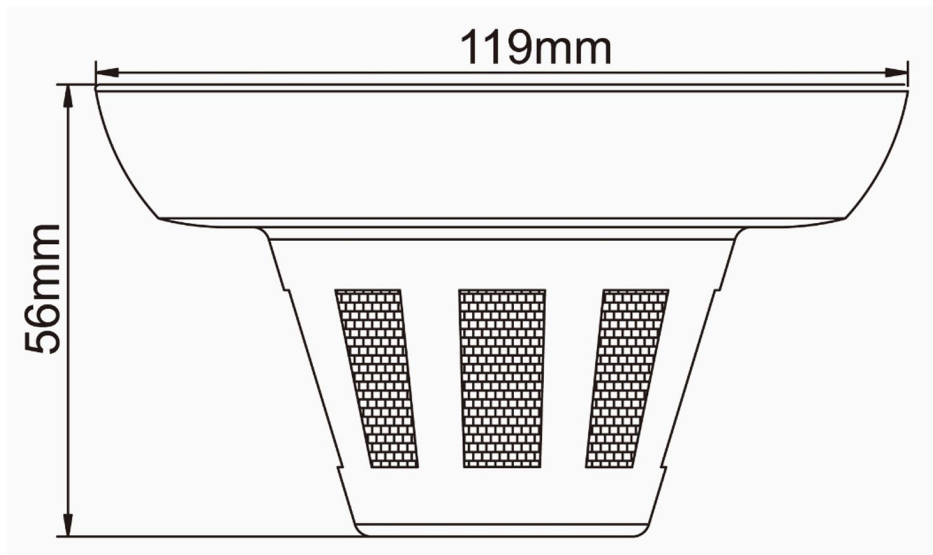
Model NO.	PIX-PCKHSD1HTC500FEH	PIX-PCKHSD1HTC500FSH	PIX-PCKHSD1HTC500FK
Video Output Mode	AHD/TVI:5M@20fps/12.5fps,	AHD/TVI:5M@20fps/12.5fps,	AHD/TVI: 5M@20fps/12.5fps,
Camera			
Image Sensor	1/3" CMOS Sensor	1/2.8" SONY Starvis Back-	1/2.5" CMOS sensor
Image Resolution	5M:2592*1944 4M:2560*1440 2M:1920*1080	5M:2592*1944 4M:2560*1440 2M:1920*1080	5M:2592*1944 4M:2560*1440 2M:1920*1080
Electronic Shutter	AUTO	AUTO	AUTO
TV System	PAL/NTSC	PAL/NTSC	PAL/NTSC
Scanning System	Progressive Scan	Progressive Scan	Progressive Scan
Lens			
Focus Length	Board Lens 3.6mm	Board Lens 3.6mm	Board Lens 3.6mm
Focus Control	Fixed	Fixed	Fixed
Lens Type	Fixed	Fixed	Fixed
Night Vision			
IR Cut Filter	YES	YES	YES
Infrared LED	/	/	/
Infrared Distance	/	/	/
IR Status	AGC Auto Control	AGC Auto Control	AGC Auto Control
Camera Features			
Starlight	/	/	/
Day/Night	YES	YES	YES
OSD Menu Language	YES	YES	YES
White Balance	AUTO / MANUAL	AUTO / MANUAL	AUTO / MANUAL
Gain Control	AUTO	AUTO	AUTO
Noise Reduction	DNR	DNR	DNR

WDR	DWDR	DWDR	DWDR
UTC	YES	YES	YES

General

Housing	PIR Spy Camera	PIR Spy Camera	PIR Spy Camera
Bracket	NO	NO	NO
Operation Temperature	-10°C ~ +60°C RH95% Max	-10°C ~ +60°C RH95% Max	-10°C ~ +60°C RH95% Max
Storage Temperature	-20°C ~ +60°C RH95% Max	-20°C ~ +60°C RH95% Max	-20°C ~ +60°C RH95% Max
Power Source	DC12V±10%,150mA	DC12V±10%,150mA	DC12V±10%,150mA
Dimension	∅ 119 x 56(H) mm	∅ 119 x 56(H) mm	∅ 119 x 56(H) mm
Weight	350g	350g	350g

Made In Taiwan



CCTV

Analog Camera, IP Camera
Dome & Bullet Cameras
Hidden Cameras
4K Cameras
PTZ Cameras



**Wireless
Cameras**

Panoramic Camera
4K Action Camera | Car Cameras
Battery Cameras
WiFi Door Bells
Hidden Cameras



**Biometric
Devices**

Fingerprint | Face | Card |
Access PIN Reader
Electromagnetic Lock
Exit Button | Break Glass
Video Door Intercom



PIXELS CONNECT PTE LTD

1013, Geylang East Ave 3, #01-144 Singapore 389728

pixelsconnect@gmail.com | www.pixelsconnect.com.sg | Tel:+65 6440 0023