



PIXELS CONNECT PTE LTD

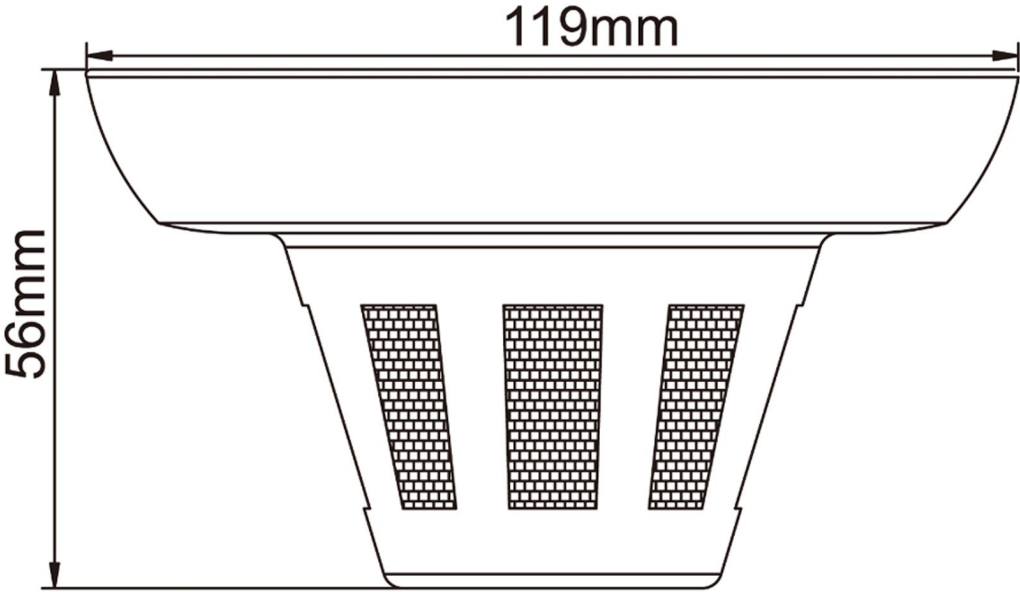


◆ SPECIFICATION

Model NO.	PIX-PCKHSD1HTC200FE	PIX-PCKHSD1HTC200F	PIX-PCKHSD1HTC200ESL	PIX-PCKHSD1HTC200ESP
Video Output Mode	AHD/TVI/CVI: 2M@30fps/25fps	AHD/TVI/CVI: 2M@30fps/25fps	AHD/TVI/CVI: 2M@30fps/25fps	AHD/TVI/CVI: 2M@30fps/25fps
Camera				
Image Sensor	1/3" CMOS Sensor	1/2.9" CMOS Sensor	1/2.8" SONY Starvis Back-	1/2.8" SONY Starvis Back-
Image Resolution	2M:1920*1080	2M:1920*1080	2M:1920*1080	2M:1920*1080
TV System	PAL/NTSC	PAL/NTSC	PAL/NTSC	PAL/NTSC
Electronic Shutter	Auto	Auto	Auto	Auto
Scanning System	Progressive Scan	Progressive Scan	Progressive Scan	Progressive Scan
Lens				
Focus Length	Board Lens 3.6mm	Board Lens 3.6mm	Board Lens 3.6mm	Board Lens 3.6mm
Focus Control	Fixed	Fixed	Fixed	Fixed
Lens Type	Fixed	Fixed	Fixed	Fixed
NightVision				
IR Cut Filter	YES	YES	YES	YES
Infrared LED	NO	NO	NO	NO
Infrared Distance	NO	NO	NO	NO
IR Status	AGC Auto Control	AGC Auto Control	AGC Auto Control	AGC Auto Control
CameraFeatures				
Starlight	/	/	YES	Super Starlight
Day/Night	YES	YES	YES	YES
OSD Menu Language	YES	YES	YES	YES
WDR	DWDR	DWDR	YES	YES
UTC	YES	YES	YES	YES
White Balance	AUTO / MANUAL	AUTO / MANUAL	AUTO / MANUAL	AUTO / MANUAL
Noise Reduction	DNR	3DNR	3DNR	3DNR
Gain Control	AUTO	AUTO	AUTO	AUTO

General				
Housing	Plastic	Plastic	Plastic	Plastic
Bracket	NO	NO	NO	NO
Operation Temperature	-10°C ~ +60°C RH95% Max	-10°C ~ +60°C RH95% Max	-10°C ~ +60°C RH95% Max	-10°C ~ +60°C RH95% Max
Storage Temperature	-20°C ~ +60°C RH95% Max	-20°C ~ +60°C RH95% Max	-20°C ~ +60°C RH95% Max	-20°C ~ +60°C RH95% Max
Power Source	DC12V±10%,150mA	DC12V±10%,150mA	DC12V±10%,150mA	DC12V±10%,150mA
Dimension	∅ 119 x 56(H) mm	∅ 119 x 56(H) mm	∅ 119 x 56(H) mm	∅ 119 x 56(H) mm
Weight	350g	350g	350g	350g

Made In Taiwan



CCTV

Analog Camera, IP Camera
Dome & Bullet Cameras
Hidden Cameras
4K Cameras
PTZ Cameras



**Wireless
Cameras**

Panoramic Camera
4K Action Camera | Car Cameras
Battery Cameras
WiFi Door Bells
Hidden Cameras



**Biometric
Devices**

Fingerprint | Face | Card |
Access PIN Reader
Electromagnetic Lock
Exit Button | Break Glass
Video Door Intercom



PIXELS CONNECT PTE LTD

1013, Geylang East Ave 3, #01-144 Singapore 389728
pixelsconnect@gmail.com | www.pixelsconnect.com.sg | Tel:+65 6440 0023