



PIXELS CONNECT PTE LTD

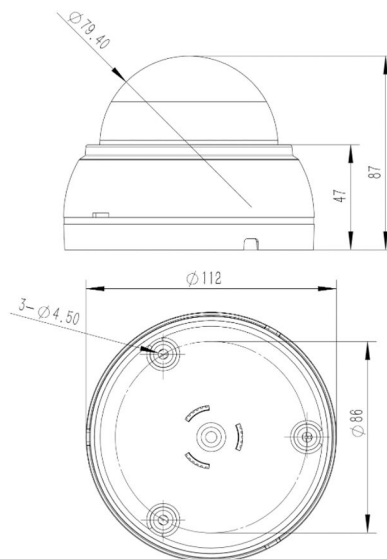


◆ SPECIFICATION

Model NO.	PIX-PCKDRN20HTC200F
Video Output Mode	AHD/TVI/CVI: 2M@30fps/25fps
Camera	
Image Sensor	1/3" CMOS Sensor
Image Resolution	2M:1920*1080
TV System	PAL/NTSC
Electronic Shutter	Auto
Scanning System	Progressive Scan
Lens	
Focus Length	Board Lens 2.8-12mm
Focus Control	Manual
Lens Type	Manual
Night Vision	
IR Cut Filter	YES
Infrared LED	14 μ x 24PCS
Infrared Distance	30M
IR Status	AGC Auto Control
Camera Features	
Starlight	/

Day/Night	YES
OSD Menu Language	YES
WDR	DWDR
UTC	YES
White Balance	AUTO / MANUAL
Noise Reduction	3DNR
Gain Control	AUTO
General	
Housing	IP67
Bracket	NO
Operation Temperature	-10°C ~ +60°C RH95% Max
Storage Temperature	-20°C ~ +60°C RH95% Max
Power Source	DC12V±10%,750mA
Dimension	Ø 131 x 93(H) mm
Weight	800g

Made In Taiwan



CCTV

Analog Camera, IP Camera
Dome & Bullet Cameras
Hidden Cameras
4K Cameras
PTZ Cameras



**Wireless
Cameras**

Panoramic Camera
4K Action Camera | Car Cameras
Battery Cameras
WiFi Door Bells
Hidden Cameras



**Biometric
Devices**

Fingerprint | Face | Card |
Access PIN Reader
Electromagnetic Lock
Exit Button | Break Glass
Video Door Intercom



PIXELS CONNECT PTE LTD

1013, Geylang East Ave 3, #01-144 Singapore 389728

pixelsconnect@gmail.com | www.pixelsconnect.com.sg | Tel:+65 6440 0023