



PIXELS CONNECT PTE LTD

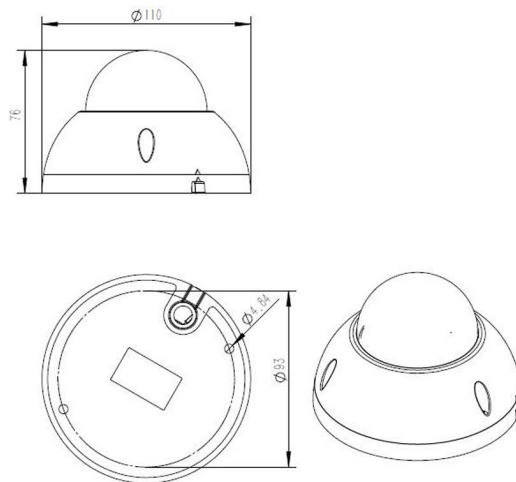


◆ SPECIFICATION

Model NO.	PIX-PCKDDN20HTC200F
Video Output Mode	AHD/TVI/CVI: 2M@30fps/25fps
Camera	
Image Sensor	1/3" CMOS Sensor
Image Resolution	2M:1920*1080
TV System	PAL/NTSC
Electronic Shutter	Auto
Scanning System	Progressive Scan
Lens	
Focus Length	Board Lens 3.6mm
Focus Control	Fixed
Lens Type	Fixed
Night Vision	
IR Cut Filter	YES
Infrared LED	14μ x12PCS
Infrared Distance	20M
IR Status	AGC Auto Control
Camera Features	
Starlight	/

Day/Night	YES
OSD Menu Language	YES
WDR	DWDR
UTC	YES
White Balance	AUTO / MANUAL
Noise Reduction	3DNR
Gain Control	AUTO
General	
Housing	IP67
Bracket	NO
Operation Temperature	-10°C ~ +60°C RH95% Max
Storage Temperature	-20°C ~ +60°C RH95% Max
Power Source	DC12V±10%,450mA
Dimension	∅ 110 x 76(H) mm
Weight	450g

Made In Taiwan



Analog Camera, IP Camera
Dome & Bullet Cameras
Hidden Cameras
4K Cameras
PTZ Cameras



Panoramic Camera
4K Action Camera | Car Cameras
Battery Cameras
WiFi Door Bells
Hidden Cameras



Fingerprint | Face | Card |
Access PIN Reader
Electromagnetic Lock
Exit Button | Break Glass
Video Door Intercom



PIXELS CONNECT PTE LTD

1013, Geylang East Ave 3, #01-144 Singapore 389728

pixelsconnect@gmail.com | www.pixelsconnect.com.sg | Tel:+65 6440 0023