



## PIXELS CONNECT PTE LTD

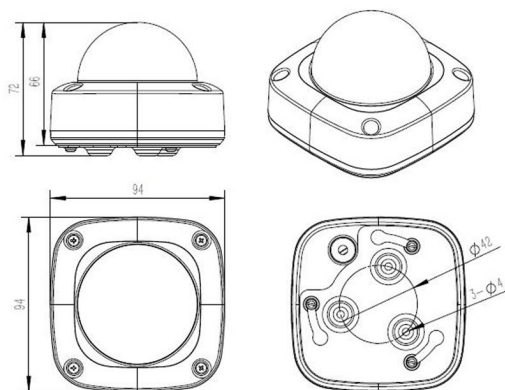


### ◆ SPECIFICATION

|                     |  |
|---------------------|--|
| Model NO.           | PIX-PCKDDM20HTC800ESL  |
| Video Output Mode   | AHD: 8M@15fps, 5M@20fps/12.5fps, 4M/2M@30fps/25fps;<br>CVI: 8M@15fps/12.5fps, 4M/2M@30fps/25fps<br>TVI: 8M@15fps/12.5fps, 5M@20fps/12.5fps, 4M/2M@30fps/25fps; |
| <b>Camera</b>       |  |
| Image Sensor        | 1/2.8" SONY Starvis Back-illuminated CMOS sensor   |
| Image Resolution    | 8M:3840*2160 5M:2592*1944 4M:2560*1440 2M:1920*1080  |
| TV System           | PAL/NTSC   |
| Electronic Shutter  | Auto   |
| Scanning System     | Progressive Scan   |
| <b>Lens</b>         |  |
| Focus Length        | Board Lens 3.6mm   |
| Focus Control       | Fixed  |
| Lens Type           | Fixed  |
| <b>Night Vision</b> |  |
| IR Cut Filter       | YES  |
| Infrared LED        | 14μ x12PCS   |
| Infrared Distance   | 20M  |
| IR Status           | AGC Auto Control   |

| <b>Camera Features</b> |                         |
|------------------------|-------------------------|
| Starlight              | /                       |
| Day/Night              | YES                     |
| OSD Menu               | YES                     |
| WDR                    | DWDR                    |
| UTC                    | YES                     |
| Noise Reduction        | DNR                     |
| White Balance          | AUTO / MANUAL           |
| Gain Control           | AUTO                    |
| <b>General</b>         |                         |
| Housing                | IP67                    |
| Bracket                | NO                      |
| Operation Temperature  | -10°C ~ +60°C RH95% Max |
| Storage Temperature    | -20°C ~ +60°C RH95% Max |
| Power Source           | DC12V±10%,450mA         |
| Dimension              | 94(W) x 94(H) x 72(D)mm |
| Weight                 | 450g                    |

Made In Taiwan



**CCTV**

Analog Camera, IP Camera  
Dome & Bullet Cameras  
Hidden Cameras  
4K Cameras  
PTZ Cameras



**Wireless  
Cameras**

Panoramic Camera  
4K Action Camera | Car Cameras  
Battery Cameras  
WIFI Door Bells  
Hidden Cameras



**Biometric  
Devices**

Fingerprint | Face | Card |  
Access PIN Reader  
Electromagnetic Lock  
Exit Button | Break Glass  
Video Door Intercom



**PIXELS CONNECT PTE LTD**

1013, Geylang East Ave 3, #01-144 Singapore 389728

pixelsconnect@gmail.com | www.pixelsconnect.com.sg | Tel:+65 6440 0023