



PIXELS CONNECT PTE LTD

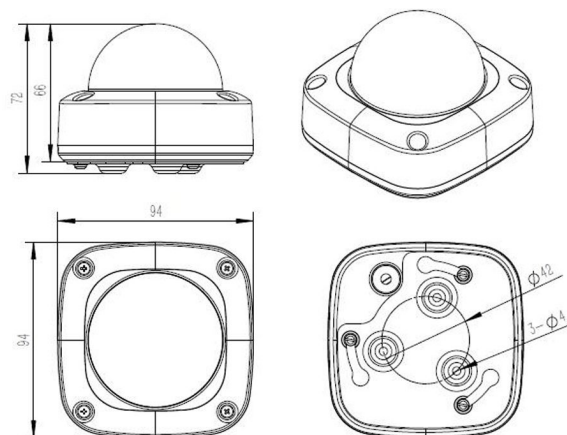


◆ SPECIFICATION

Model NO.	PIX-PCKDDM20HTC200F
Video Output Mode	AHD/TVI/CVI: 2M@30fps/25fps
<b>Camera</b>	
Image Sensor	1/3" CMOS Sensor
Image Resolution	2M:1920*1080
TV System	PAL/NTSC
Electronic Shutter	Auto
Scanning System	Progressive Scan
<b>Lens</b>	
Focus Length	Board Lens 3.6mm
Focus Control	Fixed
Lens Type	Fixed
<b>Night Vision</b>	
IR Cut Filter	YES
Infrared LED	14μ x12PCS
Infrared Distance	20M
IR Status	AGC Auto Control
<b>Camera Features</b>	
Starlight	/

Day/Night	YES
OSD Menu Language	YES
WDR	DWDR
UTC	YES
White Balance	AUTO / MANUAL
Noise Reduction	3DNR
Gain Control	AUTO
<b>General</b>	
Housing	IP67
Bracket	NO
Operation Temperature	-10°C ~ +60°C RH95% Max
Storage Temperature	-20°C ~ +60°C RH95% Max
Power Source	DC12V±10%,450mA
Dimension	94(W) x 94(H) x 72(D)mm
Weight	400g

Made In Taiwan



Analog Camera, IP Camera  
Dome & Bullet Cameras  
Hidden Cameras  
4K Cameras  
PTZ Cameras



Panoramic Camera  
4K Action Camera | Car Cameras  
Battery Cameras  
WiFi Door Bells  
Hidden Cameras



Fingerprint | Face | Card |  
Access PIN Reader  
Electromagnetic Lock  
Exit Button | Break Glass  
Video Door Intercom



## PIXELS CONNECT PTE LTD

1013, Geylang East Ave 3, #01-144 Singapore 389728

pixelsconnect@gmail.com | www.pixelsconnect.com.sg | Tel:+65 6440 0023