



## PIXELS CONNECT PTE LTD

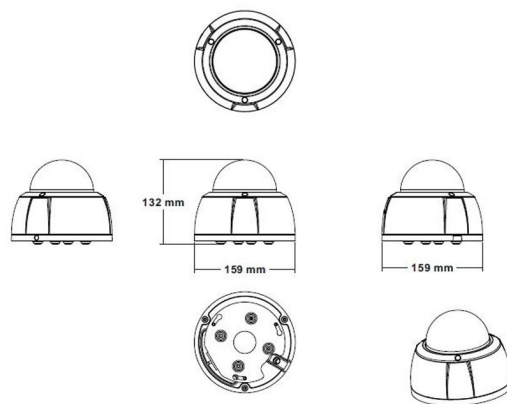


### ◆ SPECIFICATION

Model NO.	PIX-PCKDDJHTC200F
Video Output Mode	AHD/TVI/CVI: 2M@30fps/25fps
<b>Camera</b>	
Image Sensor	1/3" CMOS Sensor
Image Resolution	2M:1920*1080
TV System	PAL/NTSC
Electronic Shutter	Auto
Scanning System	Progressive Scan
<b>Lens</b>	
Focus Length	Board Lens 2.8-12mm
Focus Control	Manual
Lens Type	Manual
<b>Night Vision</b>	
IR Cut Filter	YES
Infrared LED	42μ x 4PCS
Infrared Distance	30M
IR Status	AGC Auto Control
<b>Camera Features</b>	
Starlight	/

Day/Night	YES
OSD Menu Language	YES
WDR	DWDR
UTC	YES
White Balance	AUTO / MANUAL
Noise Reduction	3DNR
Gain Control	AUTO
<b>General</b>	
Housing	IP67
Bracket	NO
Operation Temperature	-10°C ~ +60°C RH95% Max
Storage Temperature	-20°C ~ +60°C RH95% Max
Power Source	DC12V±10%,750mA
Dimension	φ159 x 132(H)mm
Weight	1.4Kgs

Made In Taiwan



**CCTV**

Analog Camera, IP Camera  
Dome & Bullet Cameras  
Hidden Cameras  
4K Cameras  
PTZ Cameras



**Wireless  
Cameras**

Panoramic Camera  
4K Action Camera | Car Cameras  
Battery Cameras  
WiFi Door Bells  
Hidden Cameras



**Biometric  
Devices**

Fingerprint | Face | Card |  
Access PIN Reader  
Electromagnetic Lock  
Exit Button | Break Glass  
Video Door Intercom



**PIXELS CONNECT PTE LTD**

1013, Geylang East Ave 3, #01-144 Singapore 389728

pixelsconnect@gmail.com | www.pixelsconnect.com.sg | Tel:+65 6440 0023