



PIXELS CONNECT PTE LTD



◆ SPECIFICATION

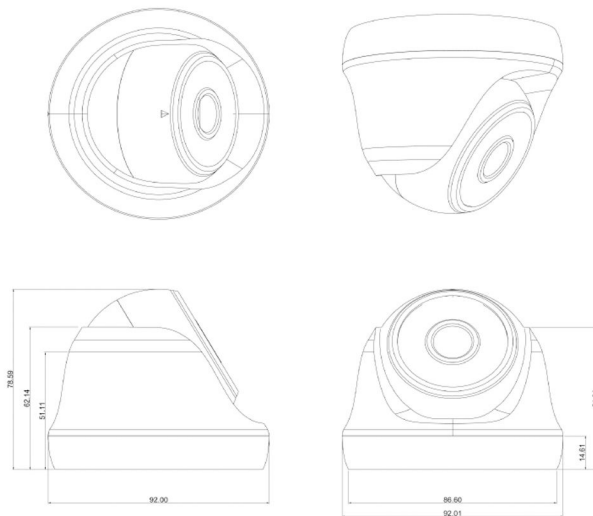
| | |
|------------------------|--|
| Model NO. | PIX-PCKDCDPHTC800FKE |
| Video Output Mode | AHD: 8M@15fps, 5M@20fps/12.5fps, 4M/2M@30fps/25fps; TVI/CVI: 8M@15fps/12.5fps, 5M@20fps/12.5fps 4M/2M@30fps/25fps |
| Camera | |
| Image Sensor | 1/2.5" CMOS sensor |
| Image Resolution | 8M:3840*2160 5M:2592*1944 4M:2560*1440 2M:1920*1080 |
| Electronic Shutter | PAL/NTSC |
| TV System | Auto |
| Scanning System | Progressive Scan |
| Lens | |
| Focus Length | Board Lens 3.6mm |
| Focus Control | Fixed |
| Lens Type | Fixed |
| Night Vision | |
| IR Cut Filter | YES |
| Infrared LED | 14μ x 18PCS |
| Infrared Distance | 20M |
| IR Status | AGC Auto Control |
| Camera Features | |
| Starlight | / |

| | |
|-----------------|----------------|
| Day/Night | YES |
| OSD Menu | YES |
| WDR | DWDR |
| UTC | YES |
| Noise Reduction | DNR |
| Coaxial Audio | YES(only TVI) |
| White Balance | AUTO / MANUAL |
| Gain Control | AUTO |

General

| | |
|-----------------------|---------------------------|
| Housing | Plastic |
| Bracket | NO |
| Operation Temperature | -10°C ~ +60°C RH95% Max |
| Storage Temperature | -20°C ~ +60°C RH95% Max |
| Power Source | DC12V±10%,550mA |
| Dimension | 90.5(W) x 80(H) x 80(D)mm |
| Weight | 300g |

Made In Taiwan



Analog Camera, IP Camera
Dome & Bullet Cameras
Hidden Cameras
4K Cameras
PTZ Cameras



Panoramic Camera
4K Action Camera | Car Cameras
Battery Cameras
WiFi Door Bells
Hidden Cameras



Fingerprint | Face | Card |
Access PIN Reader
Electromagnetic Lock
Exit Button | Break Glass
Video Door Intercom



PIXELS CONNECT PTE LTD

1013, Geylang East Ave 3, #01-144 Singapore 389728

pixelsconnect@gmail.com | www.pixelsconnect.com.sg | Tel:+65 6440 0023