

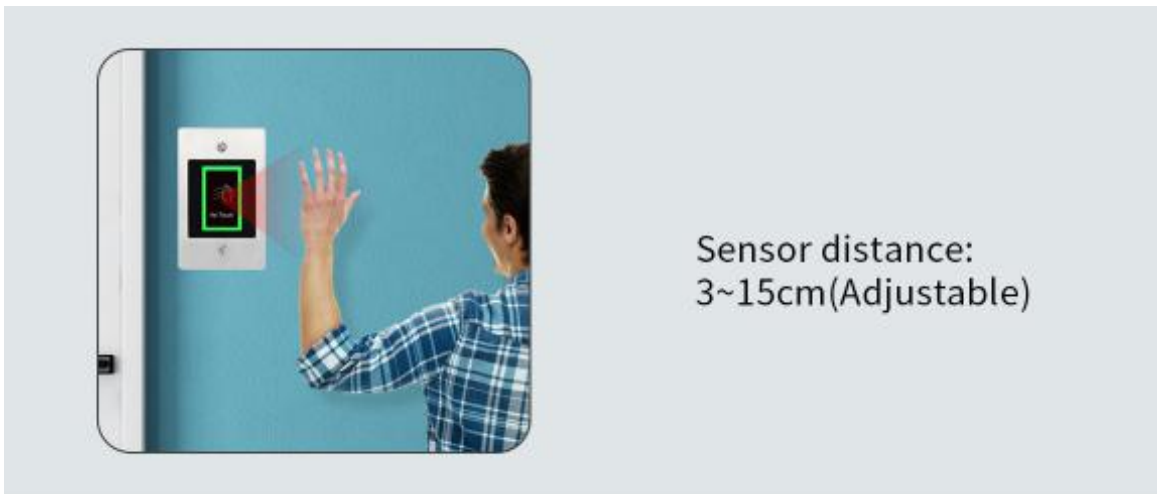


PIXELS CONNECT PTE LTD

**No Touch Exit Button
PIX-PCEbutton 2**

- ❄ Stainless steel plate, embedded design
- ❄ Output contact: NO/NC/COM
- ❄ Sensor distance: 3~15cm (Adjustable)
- ❄ Blue LED indicator: standby
- ❄ Red LED indicator: active
- ❄ Two versions for optional:
- ❄ Normal version: Not waterproof
- ❄ Delay version: Waterproof, 5s, 10s timer delay or Toggle Mode

The device is infrared no touch button, with adjustable sensor distance 3~15cm, with timer delay (Optional).



IP66 Waterproof (Optional)





PIXELS CONNECT PTE LTD



5s,10s or
Toggle Mode
(Optional Function)

Metal case, Anti-vandal



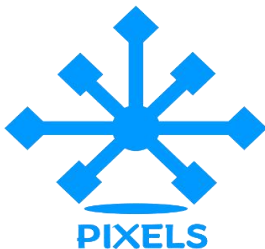
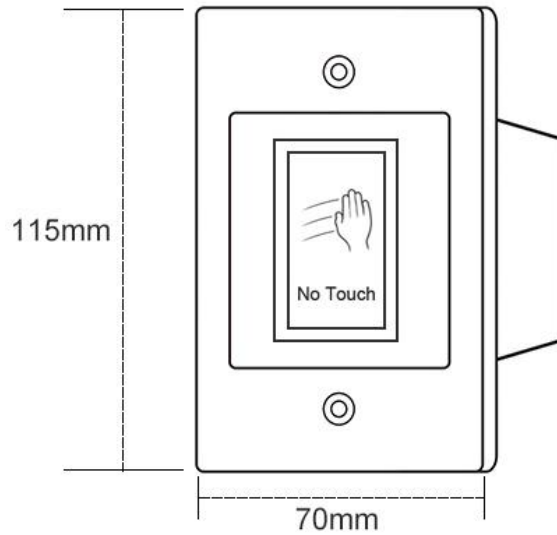
Operating Voltage	10~24V DC
Idle Current	≤15mA
Working Current	≤25mA
Current Rating	2A
Sensor Distance	3~15cm (Adjustable)
Output	NC or NO
Infrared Wavelength	940 nm
Timer Delay (Optional)	5s / 10s / Toggle Mode
Environment	IP66 Waterproof or not (Optional)
Operating Temperature	-20°C~+60°C



PIXELS CONNECT PTE LTD

Operating Humidity	0%~86%
Physical	Stainless Steel
Dimension	L115* W70 * H25 (mm)
Unit Weight	133g
Shipping Weight	158g

Product Size



CCTV

Analog Camera, IP Camera
Dome & Bullet Cameras
Hidden Cameras
4K Cameras
PTZ Cameras



Wireless Cameras

Panoramic Camera
4K Action Camera | Car Cameras
Battery Cameras
WiFi Door Bells
Hidden Cameras



Biometric Devices

Fingerprint | Face | Card |
Access PIN Reader
Electromagnetic Lock
Exit Button | Break Glass
Video Door Intercom



PIXELS CONNECT PTE LTD

1013, Geylang East Ave 3, #01-144 Singapore 389728

pixelsconnect@gmail.com | www.pixelsconnect.com.sg | Tel:+65 6440 0023