



PIXELS CONNECT PTE LTD

Embedded Fingerprint Access PIX-PCEF2

- * Metal case, embedded design
- * One Programming relay output
- * Multi-color LED Status Display
- * 1000 Users (100 Fingerprint Users + 890 Card Users + 10 Visitor User)
- * Card type: 125KHz EM card
- * Capacitive Fingerprint Sensor
- * Wiegand 26 bits output
- * Wiegand 26/34 bits input automatic identification



Anti-Vandal



Waterproof



Master Card



Card / Fingerprint

The device is a metal case standalone fingerprint access control with embedded design, the wiegand input&output make it also could be a controller or wiegand reader..



Embedded Design



PIXELS CONNECT PTE LTD

Card Type
125KHZ EM Card
1000 Users
100 Fingerprint Users
890 Card Users
10 Visitor Users



Waterproof,conforms to IP66

Wiegand input & output

Data 0



Data 1





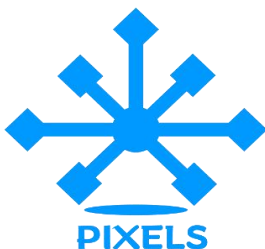
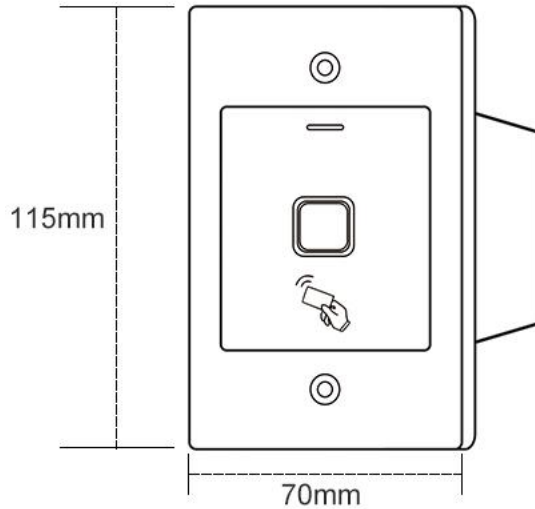
PIXELS CONNECT PTE LTD

User Capacity Fingerprint Card Visitor	1000 100 890 10
Operating Voltage Idle Current Active Current	12~18V DC < 30mA < 150mA
Proximity Card Reader Radio Technology Read Range	EM 125KHz Proximity Card 0~6 cm
Fingerprint Reader Resolution Identification time FAR FRR	Capacitive Fingerprint Module 500DPI <1S <1% <0.001%
Wiring Connections	Relay output, exit button, wiegand(in&out)
Relay Adjustable Relay Output Time Lock Output Load	One (NO, NC, Common) 0~99 Seconds (5 seconds default) 2 Amp Maximum
Environment Operating Temperature Operating Humidity	Meets IP66 -25°C ~ 60°C (-13°F ~ 140°F) 10%RH ~ 99%RH
Physical Color Dimensions Unit Weight Shipping Weight	Stainless Steel Plate Silver & Black 115x70x25mm 245g 285g



PIXELS CONNECT PTE LTD

Product Size



CCTV

Analog Camera, IP Camera
Dome & Bullet Cameras
Hidden Cameras
4K Cameras
PTZ Cameras



**Wireless
Cameras**

Panoramic Camera
4K Action Camera | Car Cameras
Battery Cameras
WiFi Door Bells
Hidden Cameras



**Biometric
Devices**

Fingerprint | Face | Card |
Access PIN Reader
Electromagnetic Lock
Exit Button | Break Glass
Video Door Intercom



PIXELS CONNECT PTE LTD

1013, Geylang East Ave 3, #01-144 Singapore 389728

pixelsconnect@gmail.com | www.pixelsconnect.com.sg | Tel:+65 6440 0023