



PIXELS CONNECT PTE LTD

Embedded Fingerprint Access

PIX-PCEF1

- ❄ Embedded design with mini size
- ❄ Metal case and waterproof, conform to IP66
- ❄ User capacity: 100 fingerprints and 3000 cards
- ❄ Card type: 125KHz EM card
- ❄ One programmable relay operation
- ❄ Latch mode to hold door or gate open
- ❄ Tri-colour LED status display



Anti-Vandal



Waterproof



Card/Fingerprint

The device is a mini metal case standalone Fingerprint&RFID access control with embedded design, It is an ideal choice to install on door frame.



Embedded Fingerprint
Access Control

Embedded Design





PIXELS CONNECT PTE LTD



Mini Size But Support 100 FP users + 3000 EM Card Users
Master Fingerprint&Card Make it Easy Operation

IP66 Waterproof



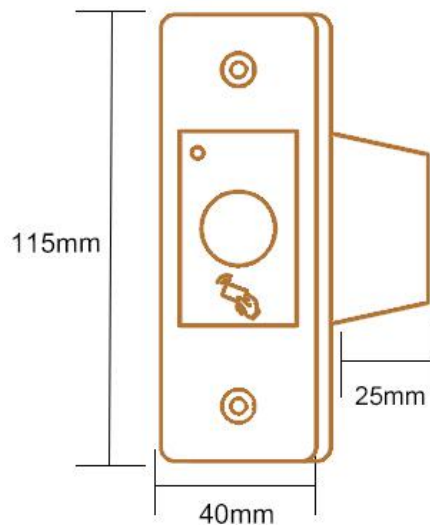
Brushed Metal Case



PIXELS CONNECT PTE LTD

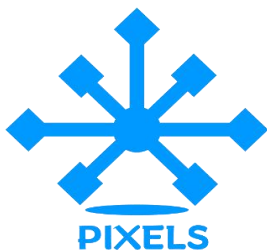
User Capacity	100 Fingerprints and 3000 cards
Operating Voltage Idle Current Active Current	9~24V DC ≤25mA ≤100
Proximity Card Reader Radio Technology Read Range	EM 125KHz Proximity Card 0~2cm
Wiring Connections	Relay output, exit button
Relay Adjustable Relay Output Time Lock Output Load	One (NO, NC, Common) 0~99 Seconds (5 seconds default) 2 Amp Maximum
Environment Operating Temperature Operating Humidity	Meets IP66 -25°C ~ 60°C (-13°F ~ 140°F) 20%RH ~ 99%RH
Physical Color Dimensions Unit Weight Shipping Weight	Stainless Steel Silver & Black L115* W40 * H25 (mm) 115g 195g

Product Size





PIXELS CONNECT PTE LTD



CCTV

Analog Camera, IP Camera
Dome & Bullet Cameras
Hidden Cameras
4K Cameras
PTZ Cameras



**Wireless
Cameras**

Panoramic Camera
4K Action Camera | Car Cameras
Battery Cameras
WiFi Door Bells
Hidden Cameras



**Biometric
Devices**

Fingerprint | Face | Card |
Access PIN Reader
Electromagnetic Lock
Exit Button | Break Glass
Video Door Intercom



PIXELS CONNECT PTE LTD

1013, Geylang East Ave 3, #01-144 Singapore 389728

pixelsconnect@gmail.com | www.pixelsconnect.com.sg | Tel:+65 6440 0023