

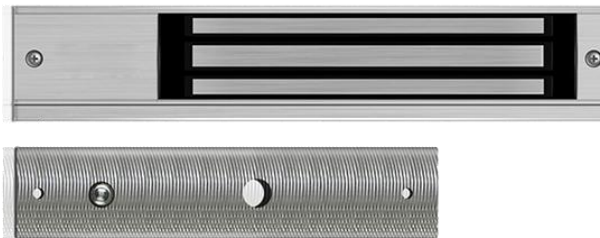


PIXELS CONNECT PTE LTD

Magnetic Lock (280KG)

PIX-PCC-lock 2

- * Single door
- * 2 wires, with LED
- * Holding force: 280kg (600Lbs)
- * Lock size: 25L x 4.8W x 2.5H (cm)
- * Armature plate size: 18L x 3.8W x 1.2H (cm)
- * Operating voltage: DC12V or DC24V

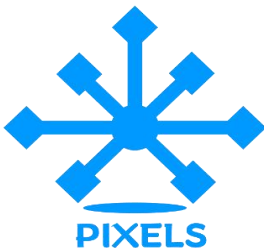
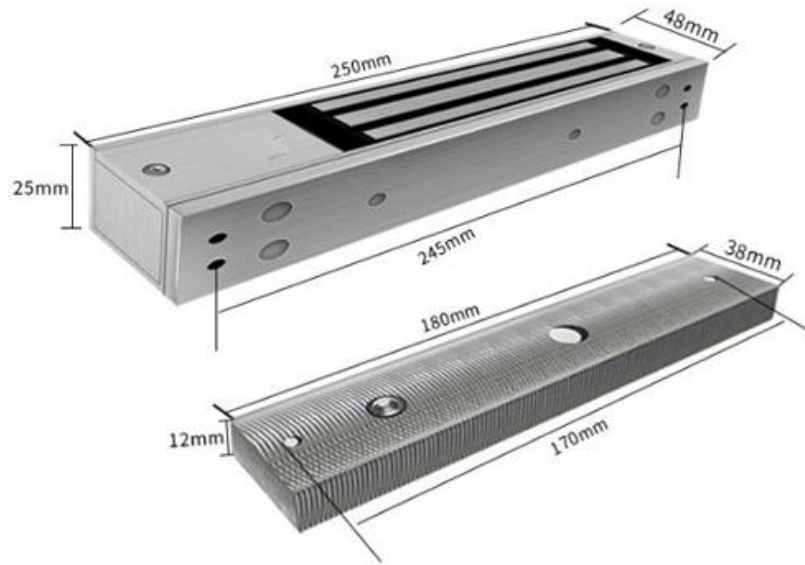


Product Parameter	Parameter Description
Lock size	25L x 4.8W x 2.5H (cm)
Armature Plate size	18L x 3.8W x 1.2H (cm)
Holding Force	280kg(600Lbs)
Input Voltage	12V DC / 24V DC
Current	12V/500mA or 24V/250mA
Suitable	Wooden door, glass door, metal door, fireproof door
Surface Temp	Below 20 °C (68 °F)
Operating Temp	-10 °C ~ 55 °C (14 °F ~ 131 °F)
Humidity	0% ~ 90%(non-condensing)
Cover Finish	Anodic hardening
Lock Finish	Zinc
Armature Plate Finish	Zinc
Weight	2.1kg



PIXELS CONNECT PTE LTD

Product Size



CCTV

Analog Camera, IP Camera
Dome & Bullet Cameras
Hidden Cameras
4K Cameras
PTZ Cameras



**Wireless
Cameras**

Panoramic Camera
4K Action Camera | Car Cameras
Battery Cameras
WiFi Door Bells
Hidden Cameras



**Biometric
Devices**

Fingerprint | Face | Card |
Access PIN Reader
Electromagnetic Lock
Exit Button | Break Glass
Video Door Intercom



PIXELS CONNECT PTE LTD

1013, Geylang East Ave 3, #01-144 Singapore 389728

pixelsconnect@gmail.com | www.pixelsconnect.com.sg | Tel:+65 6440 0023