



PIXELS CONNECT PTE LTD

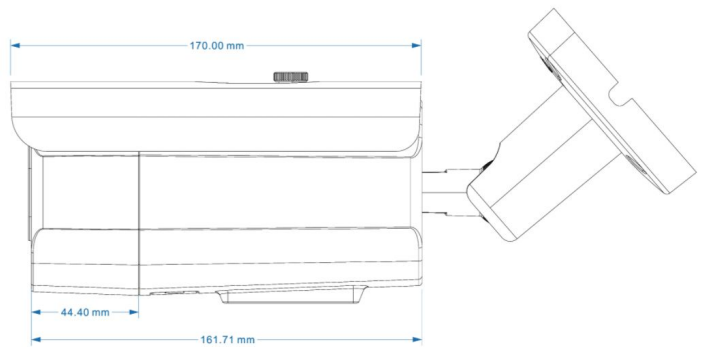
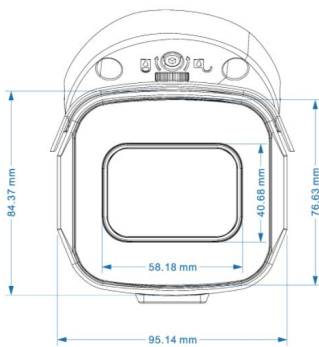


◆ SPECIFICATION

Model NO.	PIX-PCKBTA90HTC500FEH	PIX-PCKBTA90HTC500ESH
Video Output Mode	AHD/TVI:5M@20fps/12.5fps, 4M@30fps, 2M@30fps; CVI: 4M@30fps, 2M@30fps	AHD/TVI: 5M@20fps/12.5fps, 4M@30fps, 2M@30fps; CVI: 4M@30fps, 2M@30fps
Camera		
Image Sensor	1/3" CMOS Sensor	1/2.8" SONY Starvis Back-illuminated CMOS sensor
Image Resolution	5M:2592*1944 4M:2560*1440 2M:1920*1080	5M:2592*1944 4M:2560*1440 2M:1920*1080
Electronic Shutter	AUTO	PAL/NTSC
TV System	PAL/NTSC	Auto
Minimum Illumination	0.01Lux	0.005Lux
Scanning System	Progressive Scan	Progressive Scan
Lens		
Focus Length	Board Lens 8mm	Board Lens 8mm
Focus Control	Fixed	Fixed
Lens Type	Fixed	Fixed
Night Vision		
IR Cut Filter	YES	YES
Infrared LED	42μ x 6PCS	42μ x 6PCS
Infrared Distance	60M	60M
IR Status	AGC Auto Control	AGC Auto Control

Camera Features		
Starlight	/	YES
Day/Night	YES/NO	YES/NO
OSD Menu	YES	YES
WDR	DWDR	YES
UTC	YES	YES
Noise Reduction	DNR	AI-DNR
White Balance	AUTO / MANUAL	AUTO / MANUAL
Gain Control	AUTO	AUTO
General		
Housing	IP67	IP67
Bracket	YES	YES
Operation Temperature	-10°C ~ +60°C RH95% Max	-10°C ~ +60°C RH95% Max
Storage Temperature	-20°C ~ +60°C RH95% Max	-20°C ~ +60°C RH95% Max
Power Source	DC12V±10%,900mA	DC12V±10%,900mA
Dimension	170(W) x 110(H) x 101(D)mm	170(W) x 110(H) x 101(D)mm
Weight	1.65Kgs (With bracket)	1.65Kgs (With bracket)

Made In Taiwan



CCTV

Analog Camera, IP Camera
Dome & Bullet Cameras
Hidden Cameras
4K Cameras
PTZ Cameras



**Wireless
Cameras**

Panoramic Camera
4K Action Camera | Car Cameras
Battery Cameras
WiFi Door Bells
Hidden Cameras



**Biometric
Devices**

Fingerprint | Face | Card |
Access PIN Reader
Electromagnetic Lock
Exit Button | Break Glass
Video Door Intercom



PIXELS CONNECT PTE LTD

1013, Geylang East Ave 3, #01-144 Singapore 389728

pixelsconnect@gmail.com | www.pixelsconnect.com.sg | Tel:+65 6440 0023