



PIXELS CONNECT PTE LTD

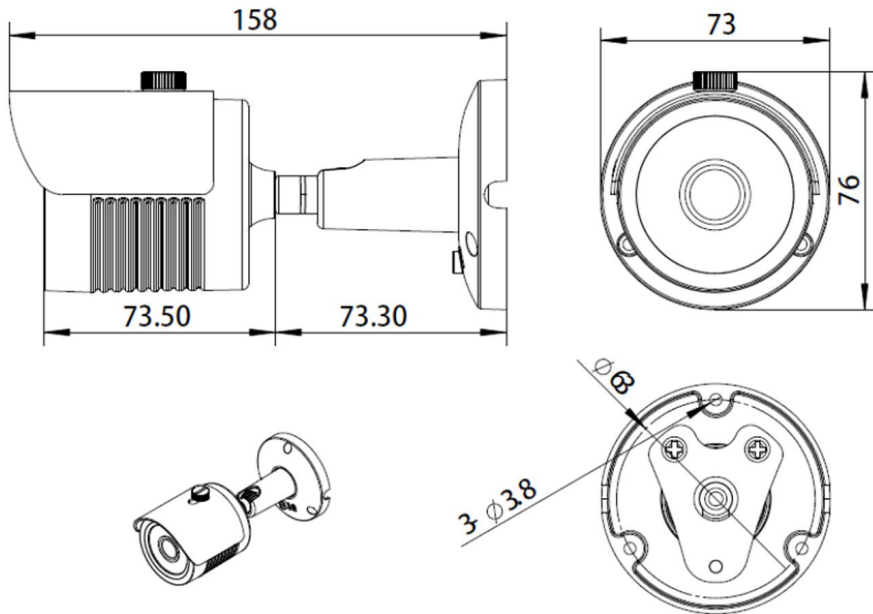


◆ SPECIFICATION

Model NO.	PIX-PCKBR25HTC800FKP	PIX-PCKBR25HTC800ESL	PIX-PCKBR25HTC800ES	PIX-PCKBR25HTC800FKE
Video Output Mode	AHD/TVI:8M@15fps, 5M@20fps/12.5fps, 4M/2M@30fps/25fps; CVI: 8M@15fps/12.5fps, 4M/2M@30fps/25fps	AHD: 8M@15fps, 5M@20fps/12.5fps, 4M/2M@30fps/25fps; CVI:8M@15fps/12.5fps, 4M/2M@30fps/25fps; TVI: 8M@15fps/12.5fps, 5M@20fps/12.5fps, 4M/2M@30fps/25fps	AHD/TVI/CVI: 8M@15fps/12.5fps, 4M/2M@30fps/25fps	AHD: 8M@15fps, 5M@20fps/12.5fps, 4M/2M@30fps/25fps; TVI/CVI: 8M@15fps/12.5fps, 5M@20fps/12.5fps 4M/2M@30fps/25fps
Camera				
Image Sensor	1/2.5" CMOS sensor	1/2.8" SONY Starvis Back-illuminated CMOS sensor	1/2.8" SONY CMOS sensor	1/2.5" CMOS sensor
Image Resolution	8M:3840*2160 5M:2592*1944 4M:2560*1440 2M:1920*1080	8M:3840*2160 5M:2592*1944 4M:2560*1440 2M:1920*1080	8M:3840*2160 4M:2560*1440 2M:1920*1080	8M:3840*2160 5M:2592*1944 4M:2560*1440 2M:1920*1080
TV System	PAL/NTSC	PAL/NTSC	PAL/NTSC	PAL/NTSC
Electronic Shutter	Auto	Auto	Auto	Auto
Scanning System	Progressive Scan	Progressive Scan	Progressive Scan	Progressive Scan
Lens				
Focus Length	Board Lens 3.6mm	Board Lens 3.6mm	Board Lens 3.6mm	Board Lens 3.6mm
Focus Control	Fixed	Fixed	Fixed	Fixed
Lens Type	Fixed	Fixed	Fixed	Fixed
Night Vision				
IR Cut Filter	YES	YES	YES	YES
Infrared LED	42μ x4PCS	42μ x4PCS	42μ x4PCS	42μ x4PCS
Infrared Distance	40M	40M	40M	40M
IR Status	AGC Auto Control	AGC Auto Control	AGC Auto Control	AGC Auto Control
Camera Features				
Starlight	/	/	/	/
Day/Night	YES	YES	YES	YES
OSD Menu Language	YES	YES	YES	YES
WDR	DWDR	YES	YES	DWDR
UTC	YES	YES	YES	YES

Noise Reduction	3DNR	3DNR	3DNR	DNR
Coaxial Audio	/	/	/	YES(only TVI)
White Balance	AUTO / MANUAL	AUTO / MANUAL	AUTO / MANUAL	AUTO / MANUAL
Gain Control	AUTO	AUTO	AUTO	AUTO
General				
Housing	IP67	IP67	IP67	IP67
Bracket	YES	YES	YES	YES
Operation Temperature	-10°C ~ +60°C RH95% Max	-10°C ~ +60°C RH95% Max	-10°C ~ +60°C RH95% Max	-10°C ~ +60°C RH95% Max
Storage Temperature	-20°C ~ +60°C RH95% Max	-20°C ~ +60°C RH95% Max	-20°C ~ +60°C RH95% Max	-20°C ~ +60°C RH95% Max
Power Source	DC12V±10%,750mA	DC12V±10%,750mA	DC12V±10%,750mA	DC12V±10%,750mA
Dimension	157(W)x70(H)x66(D)mm	157(W)x70(H)x66(D)mm	157(W)x70(H)x66(D)mm	157(W)x70(H)x66(D)mm
Weight	650g	650g	650g	650g

Made In Taiwan



Analog Camera, IP Camera
Dome & Bullet Cameras
Hidden Cameras
4K Cameras
PTZ Cameras



Panoramic Camera
4K Action Camera | Car Cameras
Battery Cameras
WiFi Door Bells
Hidden Cameras



Fingerprint | Face | Card |
Access PIN Reader
Electromagnetic Lock
Exit Button | Break Glass
Video Door Intercom



PIXELS CONNECT PTE LTD

1013, Geylang East Ave 3, #01-144 Singapore 389728

pixelsconnect@gmail.com | www.pixelsconnect.com.sg | Tel:+65 6440 0023