



PIXELS CONNECT PTE LTD

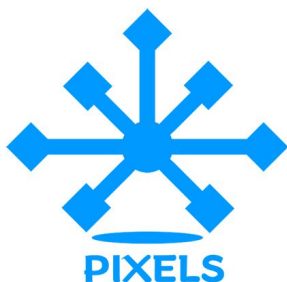
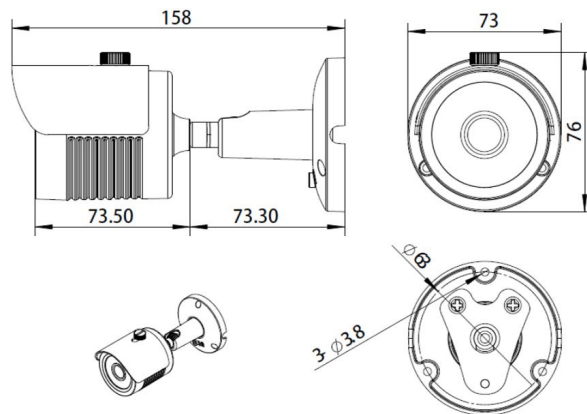


◆ SPECIFICATION

Model NO.	PIX-PCKBR25HTC500FEH	PIX-PCKBR25HTC500ESH
Video Output Mode	AHD/TVI: 5M@20fps/12.5fps, 4M@30fps, 2M@30fps; CVI: 4M@30fps, 2M@30fps	AHD/TVI: 5M@20fps/12.5fps, 4M@30fps, 2M@30fps; CVI: 4M@30fps, 2M@30fps
Camera		
Image Sensor	1/3" CMOS Sensor	1/2.8" SONY Starvis Back-illuminated CMOS sensor
Image Resolution	5M:2592*1944 4M:2560*1440 2M:1920*1080	5M:2592*1944 4M:2560*1440 2M:1920*1080
TV System	PAL/NTSC	PAL/NTSC
Electronic Shutter	Auto	Auto
Scanning System	Progressive Scan	Progressive Scan
Lens		
Focus Length	Board Lens 3.6mm	Board Lens 3.6mm
Focus Control	Fixed	Fixed
Lens Type	Fixed	Fixed
Night Vision		
IR Cut Filter	YES	YES
Infrared LED	42μ x 4PCS	42μ x 4PCS
Infrared Distance	40M	40M
IR Status	AGC Auto Control	AGC Auto Control

Camera Features		
Starlight	/	YES
Day/Night	YES	YES
OSD Menu	YES	YES
WDR	DWDR	YES
UTC	YES	YES
Noise Reduction	DNR	AI-DNR
White Balance	AUTO / MANUAL	AUTO / MANUAL
Gain Control	AUTO	AUTO
General		
Housing	IP67	IP67
Bracket	YES	YES
Operation Temperature	-10°C ~ +60°C RH95% Max	-10°C ~ +60°C RH95% Max
Storage Temperature	-20°C ~ +60°C RH95% Max	-20°C ~ +60°C RH95% Max
Power Source	DC12V±10%,750mA	DC12V±10%,750mA
Dimension	157(W)x70(H)x66(D)mm	169.5L*70 W*67.5
Weight	650g	600g

Made In Taiwan



CCTV
 Analog Camera, IP Camera
 Dome & Bullet Cameras
 Hidden Cameras
 4K Cameras
 PTZ Cameras



Wireless Cameras
 Panoramic Camera
 4K Action Camera | Car Cameras
 Battery Cameras
 WiFi Door Bells
 Hidden Cameras



Biometric Devices
 Fingerprint | Face | Card |
 Access PIN Reader
 Electromagnetic Lock
 Exit Button | Break Glass
 Video Door Intercom



PIXELS CONNECT PTE LTD

1013, Geylang East Ave 3, #01-144 Singapore 389728

pixelsconnect@gmail.com | www.pixelsconnect.com.sg | Tel:+65 6440 0023