



PIXELS CONNECT PTE LTD

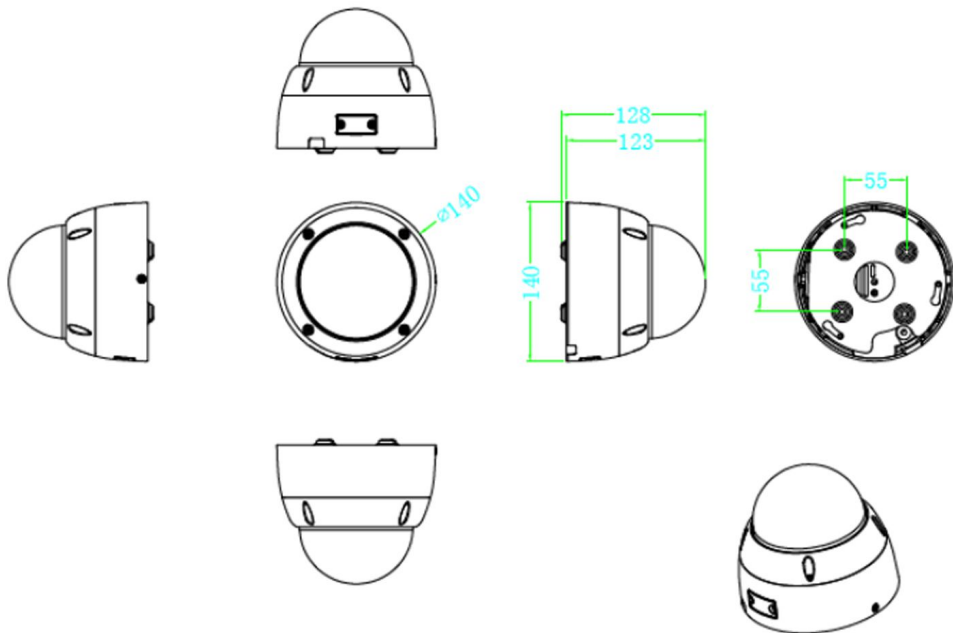


◆ SPECIFICATION

Model NO.	PIX-PCKLDAHTC2005XESL
Video Output Mode	AHD/TVI/CVI: 2M@30fps/25fps
Camera	
Image Sensor	1/2.8" SONY Starvis Back-illuminated CMOS Sensor
Image Resolution	2M:1920*1080
TV System	PAL/NTSC
Electronic Shutter	Auto
Minimum Illumination	0.005Lux
Scanning System	Progressive Scan
Lens	
Focus Length	2.8-12mm Motor Zoom
Focus Control	Auto
Lens Type	Auto
Night Vision	
IR Cut Filter	YES
Infrared LED	42μ x 4PCS
Infrared Distance	30M
IR Status	AGC Auto Control
Camera Features	
Starlight	YES
Day/Night	YES
OSD Menu	YES
WDR	YES

UTC	YES
Noise Reduction	3DNR
White Balance	AUTO / MANUAL
Gain Control	AUTO
General	
Housing	IP67
Bracket	NO
Operation Temperature	-10°C ~ +60°C RH95% Max
Storage Temperature	-20°C ~ +60°C RH95% Max
Power Source	DC12V±10%, 750mA
Dimension	φ 159 x 132 (H) mm
Weight	1.6Kgs

Made In Taiwan



CCTV

Analog Camera, IP Camera
Dome & Bullet Cameras
Hidden Cameras
4K Cameras
PTZ Cameras



Wireless
Cameras

Panoramic Camera
4K Action Camera | Car Cameras
Battery Cameras
WiFi Door Bells
Hidden Cameras



Biometric
Devices

Fingerprint | Face | Card |
Access PIN Reader
Electromagnetic Lock
Exit Button | Break Glass
Video Door Intercom



PIXELS CONNECT PTE LTD

1013, Geylang East Ave 3, #01-144 Singapore 389728

pixelsconnect@gmail.com | www.pixelsconnect.com.sg | Tel:+65 6440 0023