



PIXELS CONNECT PTE LTD



◆ SPECIFICATION

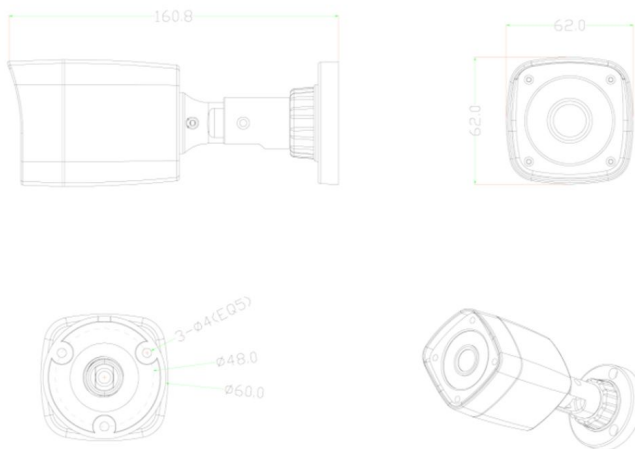
Model NO.	PIX-PCKBCP20HTC800FKE
Video Output Mode	AHD: 8M@15fps, 5M@20fps/12.5fps, 4M/2M@30fps/25fps; TVI/CVI: 8M@15fps/12.5fps, 5M@20fps/12.5fps 4M/2M@30fps/25fps
Camera	
Image Sensor	1/2.5" CMOS sensor
Image Resolution	8M:3840*2160 5M:2592*1944 4M:2560*1440 2M:1920*1080
Electronic Shutter	PAL/NTSC
TV System	Auto
Minimum Illumination	0.01Lux
Scanning System	Progressive Scan
Lens	
Focus Length	Board Lens 3.6mm
Focus Control	Fixed
Lens Type	Fixed
Night Vision	
IR Cut Filter	YES
Infrared LED	14μ x 18PCS
Infrared Distance	20M
IR Status	AGC Auto Control
Camera Features	
Starlight	/
Day/Night	YES/NO

OSD Menu	YES
WDR	DWDR
UTC	YES
Noise Reduction	DNR
Coaxial Audio	YES(only TVI)
White Balance	AUTO / MANUAL
Gain Control	AUTO

General

Housing	IP67
Bracket	YES
Operation Temperature	-10°C ~ +60°C RH95% Max
Storage Temperature	-20°C ~ +60°C RH95% Max
Power Source	DC12V±10%,550mA
Dimension	160.8 x 62 x 62mm
Weight	380g

Made In Taiwan



CCTV

Analog Camera, IP Camera
Dome & Bullet Cameras
Hidden Cameras
4K Cameras
PTZ Cameras



**Wireless
Cameras**

Panoramic Camera
4K Action Camera | Car Cameras
Battery Cameras
WiFi Door Bells
Hidden Cameras



**Biometric
Devices**

Fingerprint | Face | Card |
Access PIN Reader
Electromagnetic Lock
Exit Button | Break Glass
Video Door Intercom



PIXELS CONNECT PTE LTD

1013, Geylang East Ave 3, #01-144 Singapore 389728

pixelsconnect@gmail.com | www.pixelsconnect.com.sg | Tel:+65 6440 0023