



## PIXELS CONNECT PTE LTD



### ◆ SPECIFICATION

Model NO.	PIX-PCKBBQ90HTC800ESL	PIX-PCKBBQ90HTC800FKE
Video Output Mode	AHD: 8M@15fps, 5M@20fps/12.5fps, 4M/2M@30fps/25fps; CVI:8M@15fps/12.5fps, 4M/2M@30fps/25fps; TVI: 8M@15fps/12.5fps, 5M@20fps/12.5fps, 4M/2M@30fps/25fps	AHD: 8M@15fps, 5M@20fps/12.5fps, 4M/2M@30fps/25fps; TVI/CVI: 8M@15fps/12.5fps, 5M@20fps/12.5fps 4M/2M@30fps/25fps

### Camera

Image Sensor	1/2.8" SONY Starvis Back-illuminated CMOS sensor	1/2.5" CMOS sensor
Image Resolution	8M:3840*2160 5M:2592*1944 4M:2560*1440 2M:1920*1080	8M:3840*2160 5M:2592*1944 4M:2560*1440 2M:1920*1080
Electronic Shutter	AUTO	PAL/NTSC
TV System	PAL/NTSC	Auto
Minimum Illumination	0.005Lux	0.01Lux
Scanning System	Progressive Scan	Progressive Scan

### Lens

Focus Length	Board Lens 2.8-12mm	Board Lens 2.8-12mm
Focus Control	Manual	Manual
Lens Type	Manual	Manual

### Night Vision

IR Cut Filter	YES	YES
Infrared LED	42μ x6PCS	42μ x6PCS
Infrared Distance	60M	60M
IR Status	AGC Auto Control	AGC Auto Control

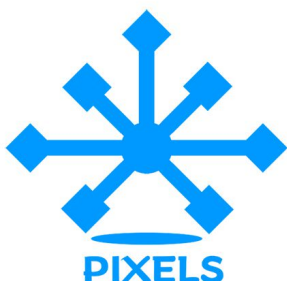
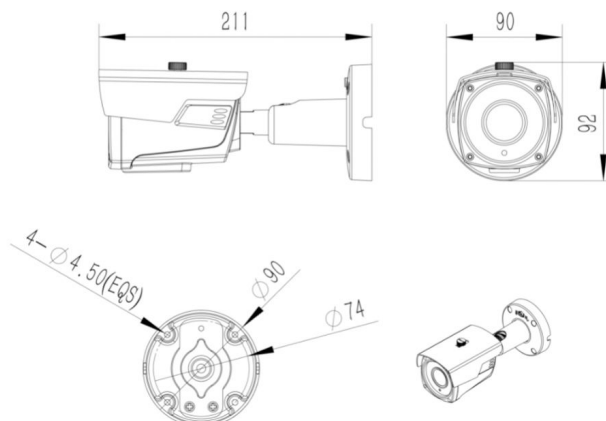
## Camera Features

Starlight	/	/
Day/Night	YES	YES/NO
OSD Menu Language	YES	YES
WDR	YES	DWDR
UTC	YES	YES
Noise Reduction	3DNR	DNR
Coaxial Audio	/	YES(only TVI )
White Balance	AUTO / MANUAL	AUTO / MANUAL
Gain Control	AUTO	AUTO

## General

Housing	IP67	IP67
Bracket	YES	YES
Operation Temperature	-10°C ~ +60°C RH95% Max	-10°C ~ +60°C RH95% Max
Storage Temperature	-20°C ~ +60°C RH95% Max	-20°C ~ +60°C RH95% Max
Power Source	DC12V±10%,900mA	DC12V±10%,900mA
Dimension	211(W) x 92(H) x 90(D)mm	211(W) x 92(H) x 90(D)mm
Weight	1.4Kg	1.4Kg

Made In Taiwan



Analog Camera, IP Camera  
Dome & Bullet Cameras  
Hidden Cameras  
4K Cameras  
PTZ Cameras



Panoramic Camera  
4K Action Camera | Car Cameras  
Battery Cameras  
WiFi Door Bells  
Hidden Cameras



Fingerprint | Face | Card |  
Access PIN Reader  
Electromagnetic Lock  
Exit Button | Break Glass  
Video Door Intercom



## PIXELS CONNECT PTE LTD

1013, Geylang East Ave 3, #01-144 Singapore 389728

pixelsconnect@gmail.com | www.pixelsconnect.com.sg | Tel:+65 6440 0023