



## PIXELS CONNECT PTE LTD



### ◆ SPECIFICATION

Model NO.	PIX-PCS02
<b>System</b>	
Main Processor	SV810
Operating System	Embedded LINUX
RAM	DDR3 512MB
ROM	EMMC 8GB
<b>Screen</b>	
Dimensions	7 inch IPS HD LCD screen
Resolution	600*1024
<b>Camera</b>	
Type	2MP camera
Sensor	1/2.9" GC2053
Resolution	NIR 800*600 15fps
Lens	4.51mm
<b>Camera</b>	
Type	Daily camera
Sensor	1/2.9" GC2093
Resolution	Color 1920*1080 30fps
Lens	4.51mm
<b>Face recognition</b>	
Detection Type	Mask detection only
Face Recognition Distance	0.5-2m
Face database Capacity	Max support 30,000 faces
Recognition Angle	Vertical 61°, Horizontal 36°
Occlusion	Ordinary glasses and short fringe have no effect on recognition.

Expression	Under normal circumstances, slight expressions do not affect recognition.
Response Speed	About 200ms
Face Exposure	Support
Local Storage	Support storage of 25,000 records
Recognition Area	Full screen recognition
Upload Method	TCP, HTTP, MQTT

## Network Functions

Network protocol	IPv4, TCP/IP, HTTP, HTTPS, MQTT, SMTP, NTP
Interface protocol	Private protocol
Security Mode	Authorized password
Event linkage	Voice broadcast, Abnormal event upload to the platform, Alarm Output
System Upgrade	Support remote upgrade

## Accessories

Supplementary light	IR light, LED white light
Identification Module	/
Audio out	Built in Speaker support voice broadcast after successful recognition
Network Module	/

## Interface

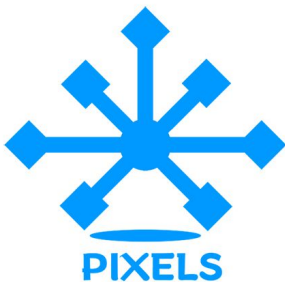
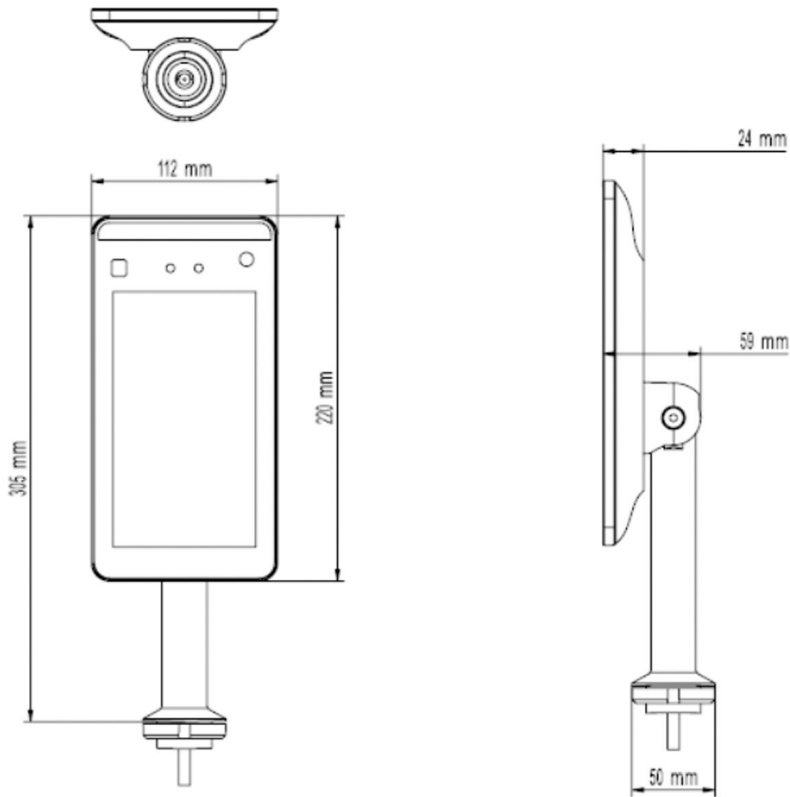
Network Interface	RJ45 10M/100M Network Adaptation
Alarm Input	/
Alarm Output	Support 1 channel
Relay Output	Support
RS485 Interface	Support(Reserved interface, no peripheral devices are supported currently)
Wiegand Interface	Support Wiegand 26, 34 protocols
USB	1*USB 2.0
TTL Serial	TTL DC 3.3V
TF Card Slot	/
HDMI	/
Reset key	Support
Anti-disassembly Switch	/

## General

Housing	Aluminum alloy, Ultra-white tempered glass panel, IP66
Operating Temperature	-10°C~50°C
Working Humidity	10% -90% Non-condensing

Storage Temperature	-40 ° C ~ 70 ° C
Storage Humidity	5% -95% Non-condensing
Protection Level	/
Power Supply	DC12V
Power Dissipation (maximum)	≤ 8 W
Dimensions (mm)	220 (W) * 112 (H) * 24 (T)
Bracket size (mm)	φ50x188.5(Installation hole diameter φ33)
Installation Method	Desktop installation/Floor installation/Gate machine installation/Column installation/Wall installation

Made In Taiwan



**CCTV**

Analog Camera, IP Camera  
Dome & Bullet Cameras  
Hidden Cameras  
4K Cameras  
PTZ Cameras



**Wireless  
Cameras**

Panoramic Camera  
4K Action Camera | Car Cameras  
Battery Cameras  
WiFi Door Bells  
Hidden Cameras



**Biometric  
Devices**

Fingerprint | Face | Card |  
Access PIN Reader  
Electromagnetic Lock  
Exit Button | Break Glass  
Video Door Intercom



**PIXELS CONNECT PTE LTD**

1013, Geylang East Ave 3, #01-144 Singapore 389728

pixelsconnect@gmail.com | www.pixelsconnect.com.sg | Tel:+65 6440 0023