



PIXELS CONNECT PTE LTD



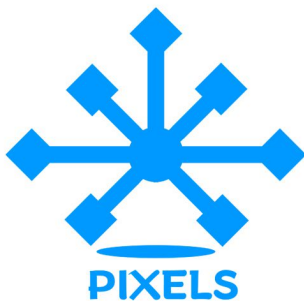
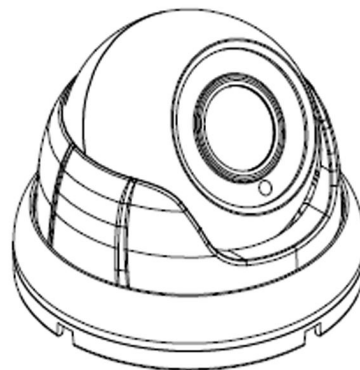
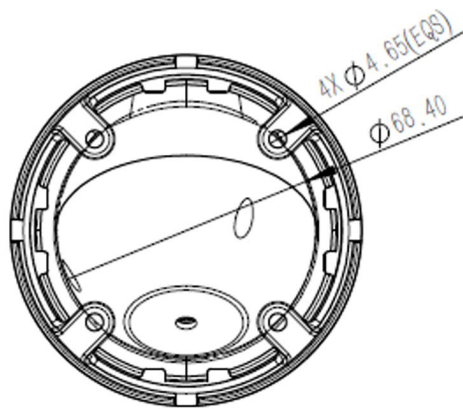
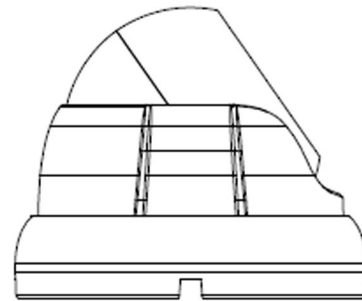
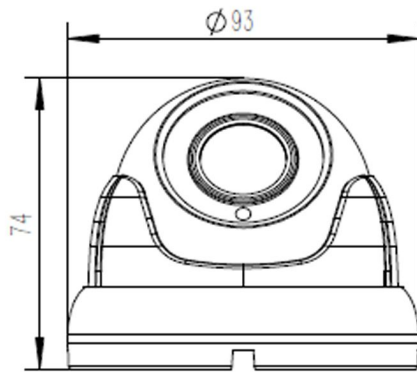
◆ SPECIFICATION

Model NO.	PIX-PCIPSU20H800
Camera	
Image Sensor	1/2.5" SONY Starvis Back-illuminated CMOS Sensor
Resolution	8MP
Effective Pixels	3864(H)*2218(V)
Compression	H.264/H.264+/H.265/H.265+/JPEG/AVI /MJPEG
TV System	PAL/NTSC
Electronic Shutter Time	Auto: PAL 1/25-1/10000Sec; NTSC 1/30-1/10000Sec
Minimum Illumination	0.01Lux
S/N Ratio	≥52dB
Scanning System	Progressive
Video Output	Network
Reset Button	Optional
Lens	
Focus Length	3.6mm
Focus Control	Fixed
Lens Type	Fixed
Pixels	8MP
Night Vision	
Infrared LED	14μ x 18PCS
Infrared Distance	20M
IR Status	Auto Control
IR Power On	Smart, Manual & Timed mode
Network	
Ethernet	RJ-45 (10/100Base-T)

Wireless	/
Protocol	TCP/IP,ICMP,HTTP,HTTPS,FTP,DHCP,DNS,DDNS,RTP,RTSP,RTCP,NTP,SMTP,UDP
ONVIF	Support ONVIF 2.4
P2P	YES, Support QR Code
POE	Internal, Support IEEE 802.3af
Video Delay	0.3S (Within the Lan)
Main Stream 1	3840*2160 @20fps 3072*2048@30fps
Main Stream 2	2592*1944@30fps 2560*1920@30fps
Main Stream 3	2560*1440@30fps 1920*1080@30fps 1280*720@30fps
Sub Stream 1	720*480@20fps 720*480@30fps
Sub Stream 2	/
Sub Stream 3	/
Tri Stream	352*288@20fps 352*288@30fps
IE Brower	IE8-11, Google Chrome (lower than Ver44), Firefox (lower than Ver53), Mac Safari(lower than version 12)
Smart Phone	iPhone, iPad, Android, Android Pad
Camera Features	
Day/Night	Color/ B&W (IR-CUT)
Image Config	Saturation/Brightness/Contrast /Sharpness, Mirror, 3D NR , White Balance, FLK(Flicker Control), Video Tampering, HLC, Distortion
Full Color	/
Corridor Pattern	Support
Defog Mode	Support
ROI	Support
BLC	Support
WDR	DWDR: 50dB
Motion Detection	Support
Privacy Masking	3 Rectangular Zone
Recording Mode	NVR/CMS/Web
Language	Chinese Simplified, Chinese Traditional, English, Bulgarian, Polish, Arabic, German, Russian, French, Korean, Portuguese, Japanese, Turkish, Spanish, Hebrew, Italian,Nederlands,Czech, Vietnamese
Interface	
Audio	Optional Audio IN
Alarm	/
SD Card Slot	Optional Internal, Support Max 512GB
RS485	/

General	
Housing	IP67
Anti-cut Bracket	NO
IR Cut Filter	YES
Operation Temperature	-20°C ~ +60°C RH95% Max
Storage Temperature	-20°C ~ +60°C RH95% Max
Power Source	DC12V±10%,750mA
Dimension	∅ 93 x 74(H) mm
Weight	400g

Made in Taiwan



CCTV

Analog Camera, IP Camera
Dome & Bullet Cameras
Hidden Cameras
4K Cameras
PTZ Cameras



**Wireless
Cameras**

Panoramic Camera
4K Action Camera | Car Cameras
Battery Cameras
WiFi Door Bells
Hidden Cameras



**Biometric
Devices**

Fingerprint | Face | Card |
Access PIN Reader
Electromagnetic Lock
Exit Button | Break Glass
Video Door Intercom



PIXELS CONNECT PTE LTD

1013, Geylang East Ave 3, #01-144 Singapore 389728

pixelsconnect@gmail.com | www.pixelsconnect.com.sg | Tel:+65 6440 0023