



## PIXELS CONNECT PTE LTD



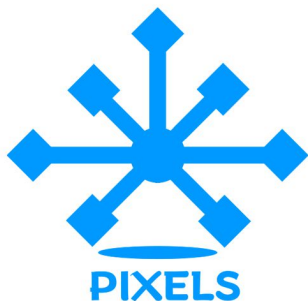
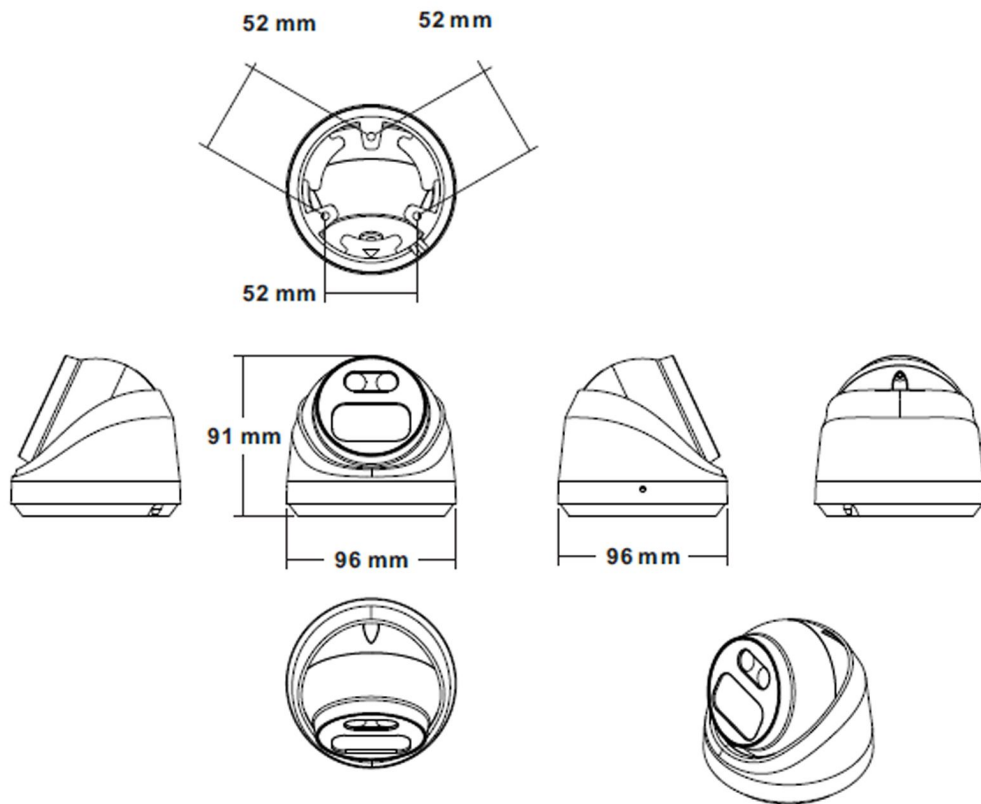
### ◆ SPECIFICATION

| Model NO.               | PIX-PCIPSCARL400                                 |
|-------------------------|--|
| <b>Camera</b>           |  |
| Image Sensor            | 1/2.8" SONY Starvis Back-illuminated CMOS sensor |
| Resolution              | 4MP  |
| Effective Pixels        | 2616 (H) x 1964 (V)                              |
| Compression             | H.264/H.264+/H.265/H.265+/JPEG/AVI /MJPEG        |
| TV System               | PAL/NTSC   |
| Electronic Shutter Time | Auto: PAL 1/25-1/10000Sec; NTSC 1/30-1/10000Sec  |
| Minimum Illumination    | 0.01Lux  |
| S/N Ratio               | ≥52dB  |
| Scanning System         | Progressive                                      |
| Video Output            | Network  |
| Reset Button            | Optional   |
| <b>Lens</b>             |  |
| Focus Length            | 3.6mm  |
| Focus Control           | Fixed  |
| Lens Type               | Fixed  |
| Pixels                  | 4MP  |
| <b>Night Vision</b>     |  |
| Infrared LED            | 42μ x 2PCS                                       |
| Infrared Distance       | 25M  |
| IR Status               | Auto Control                                     |
| IR Power On             | Smart, Manual & Timed mode                       |
| <b>Network</b>          |  |
| Ethernet                | RJ-45 (10/100Base-T)                             |

|                        |  |
|------------------------|--|
| Wireless               | /  |
| Protocol               | TCP/IP, ICMP, HTTP, HTTPS, FTP, DHCP, DNS, DDNS, RTP, RTSP, RTCP, PPPoE, NTP, UPnP, SMTP, UDP, SNMP  |
| ONVIF                  | Support ONVIF 19.12(Profile S/T/G)   |
| P2P                    | YES, Support QR Code   |
| POE                    | Optional/Internal, Support IEEE 802.3af  |
| Video Delay            | 0.3S (Within the Lan)  |
| Main Stream 1          | 2592*1944@30fp   |
| Main Stream 2          | 2560*1440@30fp   |
| Main Stream 3          | 1920*1080@30fps<br>1280*720@30fps  |
| Sub Stream 1           | 1280*720@30fps<br>720*480@30fps  |
| Sub Stream 2           | 352*288@30fps  |
| Sub Stream 3           | /  |
| Tri Stream             | 1280*720@30fps<br>720*480@30fps<br>352*288@30fps   |
| IE Brower              | IE8-11, Google Chrome, Firefox , Mac Safari  |
| Smart Phone            | iPhone, iPad, Android, Android Pad   |
| <b>AI Function</b>     |  |
| Intelligent Analysis   | Face Detection, Intrusion Detetion, Line Cross Detetion, Loiter Detetion, People Gather Detecion,motion detection based on human detection   |
| <b>Camera Features</b> |  |
| Day/Night              | Color/ B&W (IR-CUT )   |
| Image Config           | Saturation/Brightness/Contrast /Sharpness, Mirror, 3D NR , White Balance, FLK(Flicker Control), Video Tampering, HLC, Distortion   |
| Full Color             | /  |
| Corridor Pattern       | Support  |
| Defog Mode             | Support  |
| ROI                    | Support  |
| BLC                    | Support  |
| WDR                    | HDR: 120dB   |
| Motion Detection       | Support  |
| Privacy Masking        | 3 Rectangular Zone   |
| Recording Mode         | NVR/CMS/Web  |
| Language               | Chinese Simplified, Chinese Traditional, English, Bulgarian, Polish, Arabic, German, Russian, French, Korean, Portuguese, Japanese, Turkish, Spanish, Hebrew, Italian,Nederlands,Czech, Vietnamese |
| <b>Interface</b>       |  |
| Audio                  | Optional 1 Built-in MIC /Optional Audio IN/OUT   |

|                       |                                      |
|-----------------------|--------------------------------------|
| Alarm                 | /                                    |
| SD Card Slot          | Optional Internal, Support Max 512GB |
| RS485                 | /                                    |
| <b>General</b>        |                                      |
| Housing               | IP67                                 |
| Anti-cut Bracket      | NO                                   |
| IR Cut Filter         | YES                                  |
| Operation Temperature | -20°C ~ +60°C RH95% Max              |
| Storage Temperature   | -20°C ~ +60°C RH95% Max              |
| Power Source          | DC12V±10%,700mA                      |
| Dimension             | 96x91                                |
| Weight                | 600g                                 |

Made in Taiwan



**CCTV**

Analog Camera, IP Camera  
Dome & Bullet Cameras  
Hidden Cameras  
4K Cameras  
PTZ Cameras



**Wireless  
Cameras**

Panoramic Camera  
4K Action Camera | Car Cameras  
Battery Cameras  
WiFi Door Bells  
Hidden Cameras



**Biometric  
Devices**

Fingerprint | Face | Card |  
Access PIN Reader  
Electromagnetic Lock  
Exit Button | Break Glass  
Video Door Intercom



**PIXELS CONNECT PTE LTD**

1013, Geylang East Ave 3, #01-144 Singapore 389728

pixelsconnect@gmail.com | www.pixelsconnect.com.sg | Tel:+65 6440 0023