



PIXELS CONNECT PTE LTD



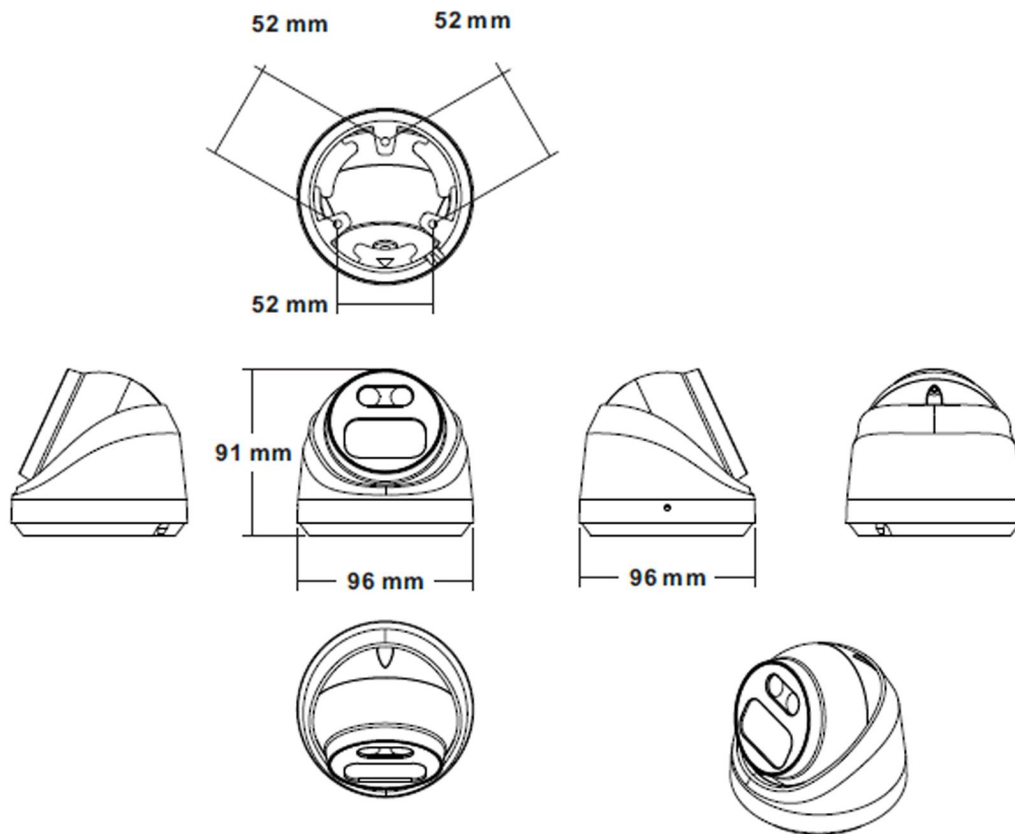
◆ SPECIFICATION

| Model NO. | PIX-PCIPSCAFG200 |
|-------------------------|---|
| Camera | |
| Image Sensor | 1/2.9" Progressive Scan CMOS Sensor |
| Resolution | 2MP 1080P |
| Effective Pixels | 1920(H)*1080(V) |
| Compression | H.264/H.264+/H.265/H.265+/JPEG/AVI |
| TV System | PAL/NTSC |
| Electronic Shutter Time | Auto: PAL 1/25-1/10000Sec; NTSC 1/30-1/10000Sec |
| Minimun Illumination | 0.01Lux |
| S/N Ratio | 60dB |
| Scanning System | Progressive |
| Video Output | Network |
| Reset Button | Optional |
| Lens | |
| Focus Length | 3.6mm |
| Focus Control | Fixed |
| Lens Type | Fixed |
| Pixels | 2MP |
| Night Vision | |
| Infrared LED | 42μ x 2PCS |
| Infrared Distance | 25M |
| IR Status | Auto Control |
| IR Power On | Smart, Manual & Timed mode |
| Network | |
| Ethernet | RJ-45 (10/100Base-T) |

| | |
|------------------------|--|
| Wireless | / |
| Protocol | TCP/IP, ICMP, HTTP, HTTPS, FTP, DHCP, DNS, DDNS, RTP, RTSP, RTCP, PPPoE, NTP, UPnP, SMTP, UDP |
| ONVIF | Support ONVIF 2.4(Profile S/T/G) |
| P2P | YES |
| POE | Optional, Support IEEE 802.3af |
| Video Delay | 0.3S (Within the Lan) |
| Main Stream 1 | 2304*1296@30fps |
| Main Stream 2 | 1920*1080@30fps |
| Main Stream 3 | 1280*720@30fps |
| Sub Stream 1 | 1280*720@30fps |
| Sub Stream 2 | 720*480@30fps |
| Sub Stream 3 | / |
| Tri Stream | / |
| IE Brower | IE8-11, Google Chrome, Firefox , Mac Safari |
| Smart Phone | iPhone, Android |
| AI Function | |
| Intelligent Analysis | Intrusion Detetion |
| Camera Features | |
| Day/Night | Color/ B&W (IR-CUT) |
| Image Config | Saturation/Brightness/Contrast /Sharpness, Mirror, 3D NR , White Balance, FLK(Flicker Control), Video Tampering, HLC, Distortion |
| Full Color | / |
| Corridor Pattern | / |
| Defog Mode | Support |
| ROI | Support |
| BLC | Support |
| WDR | DWDR: 50dB |
| Motion Detection | Support |
| Privacy Masking | 3 Rectangular Zone |
| Recording Mode | NVR/CMS/Web |
| Language | Chinese Simplified, Chinese Traditional, English, Bulgarian, Polish, Arabic, German, Russian, French, Korean, Portuguese, Japanese, Turkish, Spanish, Hebrew, Italian,Nederlands,Czech, Vietnamese |
| Interface | |
| Audio | Optional 1 Built-in MIC/Optional Audio IN/OUT/ Optional Audio In |
| Alarm | / |

| | |
|-----------------------|--------------------------------------|
| SD Card Slot | Optional External, Support Max 512GB |
| RS485 | / |
| General | |
| Housing | IP67 |
| Anti-cut Bracket | NO |
| IR Cut Filter | YES |
| Operation Temperature | -20°C ~ +60°C RH95% Max |
| Storage Temperature | -20°C ~ +60°C RH95% Max |
| Power Source | DC12V±10%,700mA |
| Dimension | 96 x91 |
| Weight | 600g |

Made in Taiwan



CCTV

Analog Camera, IP Camera
Dome & Bullet Cameras
Hidden Cameras
4K Cameras
PTZ Cameras



**Wireless
Cameras**

Panoramic Camera
4K Action Camera | Car Cameras
Battery Cameras
WiFi Door Bells
Hidden Cameras



**Biometric
Devices**

Fingerprint | Face | Card |
Access PIN Reader
Electromagnetic Lock
Exit Button | Break Glass
Video Door Intercom



PIXELS CONNECT PTE LTD

1013, Geylang East Ave 3, #01-144 Singapore 389728

pixelsconnect@gmail.com | www.pixelsconnect.com.sg | Tel:+65 6440 0023