



## PIXELS CONNECT PTE LTD



### ◆ SPECIFICATION

Model NO.	PIX-PCIPMBAHL800
<b>Camera</b>	
Image Sensor	1/2.8" SONY Starvis Back-illuminated CMOS Sensor
Resolution	8MP
Effective Pixels	3864(H)*2192(V)
Compression	H.264/H.264+/H.265/H.265+/JPEG/AVI /MJPEG
TV System	PAL/NTSC
Electronic Shutter Time	Auto: PAL 1/25-1/10000Sec; NTSC 1/30-1/10000Sec
Minimun Illumination	0.01Lux
S/N Ratio	≥52dB
Scanning System	Progressive
Video Output	Network
Reset Button	Optional
<b>Lens</b>	
Focus Length	3.6mm
Focus Control	Fixed
Lens Type	Fixed
Pixels	8MP
<b>Night Vision</b>	
Infrared LED	42μ x 4PCS
Infrared Distance	40M
IR Status	Auto Control
IR Power On	Smart, Manual & Timed mode
<b>Network</b>	
Ethernet	RJ-45 (10/100Base-T)

Wireless	/
Protocol	TCP/IP, ICMP, HTTP, HTTPS, FTP, DHCP, DNS, DDNS, RTP, RTSP, RTCP, PPPoE, NTP, UPnP, SMTP, UDP
ONVIF	Support ONVIF 2.4(Profile S/T/G)
P2P	YES, Support QR Code
POE	Internal, Support IEEE 802.3af
Video Delay	0.3S (Within the Lan)
Main Stream 1	3840*2160@20fps
Main Stream 2	2592*1944@30fps 2560*1440@30fps
Main Stream 3	1920*1080@30fps 1280*720@30fps
Sub Stream 1	720*480@30fps
Sub Stream 2	352*288@30fps
Sub Stream 3	/
Tri Stream	1280*720@30fps 720*480@30fps 352*288@30fps
IE Brower	IE8-11, Google Chrome, Firefox , Mac Safari
Smart Phone	iPhone, iPad, Android, Android Pad

## Camera Features

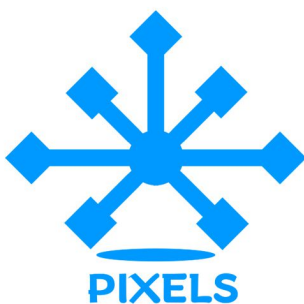
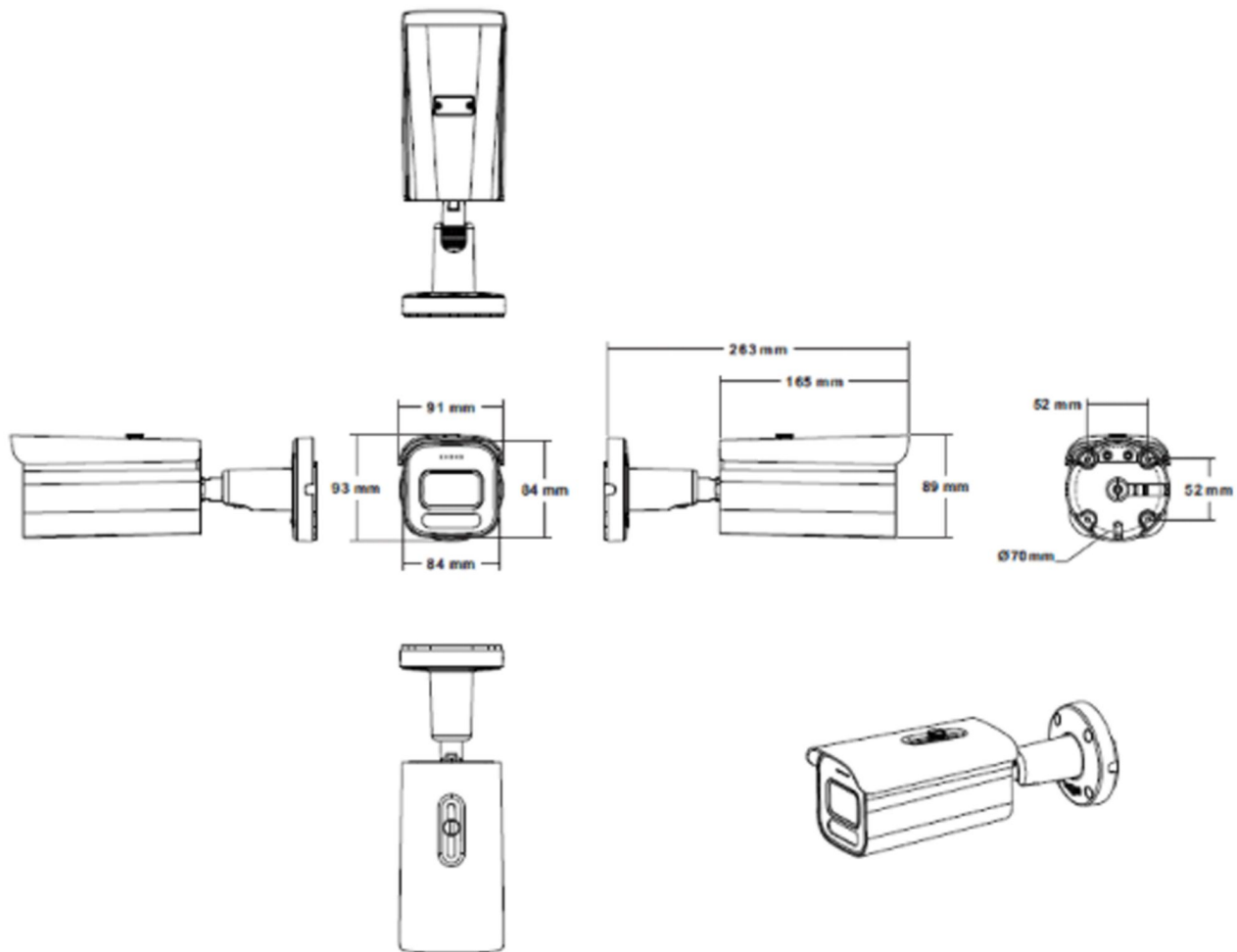
Day/Night	Color/ B&W (IR-CUT )
Image Config	Saturation/Brightness/Contrast /Sharpness, Mirror, 3D NR , White Balance, FLK(Flicker Control), Video Tampering, HLC, Distortion
Full Color	/
Corridor Pattern	Support
Defog Mode	Support
ROI	Support
BLC	Support
WDR	HDR: 120dB
Motion Detection	Support
Privacy Masking	3 Rectangular Zone
Recording Mode	NVR/CMS/Web
Language	Chinese Simplified, Chinese Traditional, English, Bulgarian, Polish, Arabic, German, Russian, French, Korean, Portuguese, Japanese, Turkish, Spanish, Hebrew, Italian, Netherlands, Czech, Vietnamese

## Interface

Audio	Optional Audio IN/OUT
Alarm	1 Channel Input/Output
SD Card Slot	Yes, Support Max 512GB

RS485	/
<b>General</b>	
Housing	IP67
Anti-cut Bracket	YES
IR Cut Filter	YES
Operation Temperature	-20°C ~ +60°C RH95% Max
Storage Temperature	-20°C ~ +60°C RH95% Max
Power Source	DC12V±10%,950mA
Dimension	93 (W) x 91 (H) x 263 (D) mm
Weight	1.45KGs

Made in Taiwan



**CCTV**

Analog Camera, IP Camera  
Dome & Bullet Cameras  
Hidden Cameras  
4K Cameras  
PTZ Cameras



**Wireless  
Cameras**

Panoramic Camera  
4K Action Camera | Car Cameras  
Battery Cameras  
WiFi Door Bells  
Hidden Cameras



**Biometric  
Devices**

Fingerprint | Face | Card |  
Access PIN Reader  
Electromagnetic Lock  
Exit Button | Break Glass  
Video Door Intercom



**PIXELS CONNECT PTE LTD**

1013, Geylang East Ave 3, #01-144 Singapore 389728

pixelsconnect@gmail.com | www.pixelsconnect.com.sg | Tel:+65 6440 0023