



PIXELS CONNECT PTE LTD



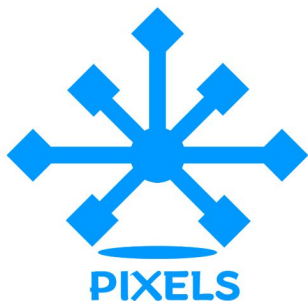
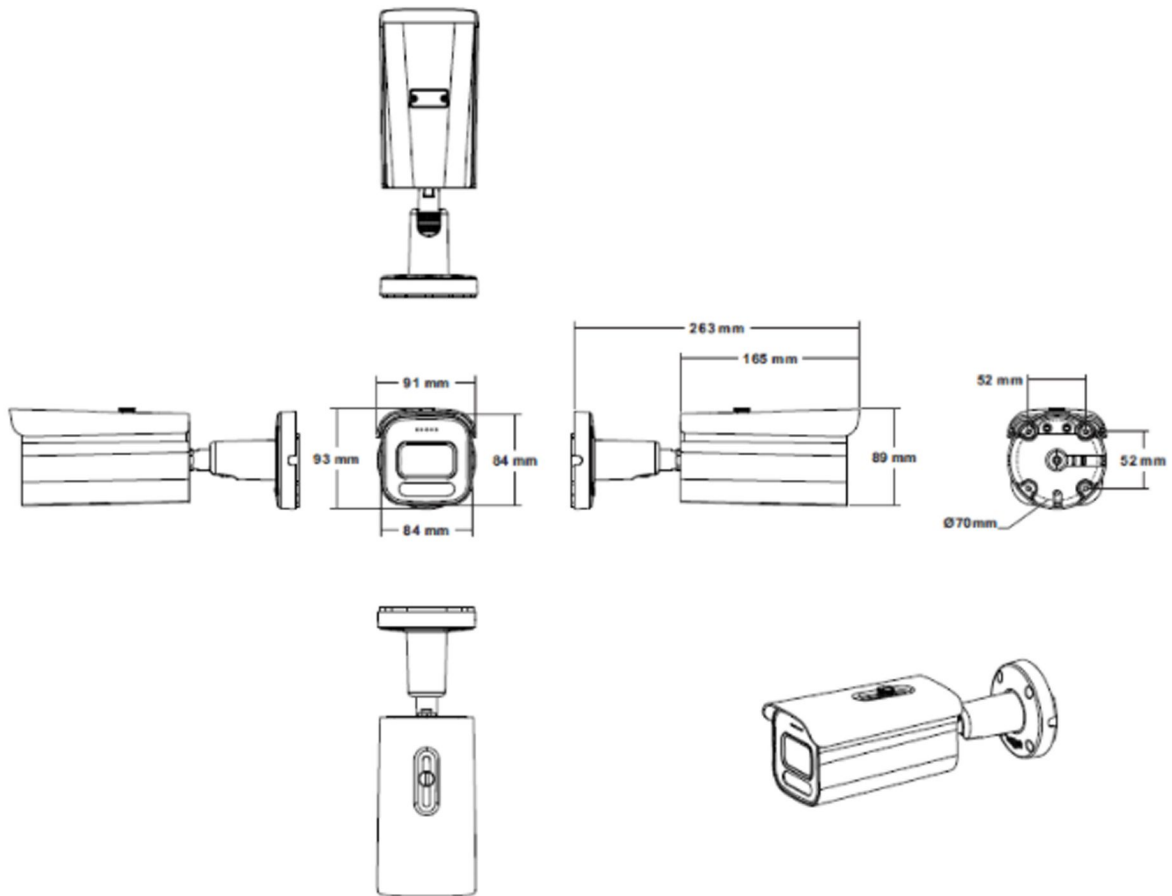
◆ SPECIFICATION

Model NO.	PIX-PCIPMBAFE500
Camera	
Image Sensor	1/2.5" High-resolution CMOS Sensor
Resolution	5MP
Effective Pixels	2608(H)*1952(V)
Compression	H.264/H.264+/H.265/H.265+/JPEG/AVI /MJPEG
TV System	PAL/NTSC
Electronic Shutter Time	Auto: PAL 1/25-1/10000Sec; NTSC 1/30-1/10000Sec
Minimum Illumination	0.01Lux
S/N Ratio	≥52dB
Scanning System	Progressive
Video Output	Network
Reset Button	Optional
Lens	
Focus Length	6mm
Focus Control	Fixed
Lens Type	Fixed
Pixels	5MP
Night Vision	
Infrared LED	42μ x 4PCS
Infrared Distance	40M
IR Status	Auto Control
IR Power On	Smart, Manual & Timed mode
Network	
Ethernet	RJ-45 (10/100Base-T)

Wireless	/
Protocol	TCP/IP,ICMP,HTTP,HTTPS,FTP,DHCP,DNS,DDNS,RTP,RTSP,RTCP,NTP,SMTP,UDP
ONVIF	Support ONVIF 2.4(Profile S/T)
P2P	YES, Support QR Code
POE	Optional, Support IEEE 802.3af
Video Delay	0.3S (Within the Lan)
Main Stream 1	2592*1944@20fp 2560*1920@20fp
Main Stream 2	2560*1440@30fp
Main Stream 3	1920*1080@30fps
Sub Stream 1	1280*720@20fps 1280*720@30fps
Sub Stream 2	720*576@20/25fps 720*480@20/30fps
Sub Stream 3	352*288@20fps 352*288@30fps
Tri Stream	/
IE Brower	IE8-11, Google Chrome, Firefox , Mac Safari
Smart Phone	iPhone, iPad, Android, Android Pad
Camera Features	
Day/Night	Color/ B&W (IR-CUT)
Image Config	Saturation/Brightness/Contrast /Sharpness, Mirror, 3D NR , White Balance, FLK(Flicker Control)
Full Color	/
Corridor Pattern	Support
Defog Mode	/
ROI	/
BLC	Support
WDR	DWDR: 50dB
Motion Detection	Support
Privacy Masking	3 Rectangular Zone
Recording Mode	NVR/CMS/Web
Language	Chinese Simplified, Chinese Traditional, English, Bulgarian, Polish, Arabic, German, Russian, French, Korean, Portuguese, Japanese, Turkish, Spanish, Hebrew, Italian,Nederlands,Czech, Vietnamese
Interface	
Audio	Optional Audio IN
Alarm	/
SD Card Slot	/
RS485	/

General	
Housing	IP67
Anti-cut Bracket	YES
IR Cut Filter	YES
Operation Temperature	-20°C ~ +60°C RH95% Max
Storage Temperature	-20°C ~ +60°C RH95% Max
Power Source	DC12V±10%,950mA
Dimension	93(W) x 91(H) x 263(D)mm
Weight	1.45KGs

Made in Taiwan



CCTV

Analog Camera, IP Camera
Dome & Bullet Cameras
Hidden Cameras
4K Cameras
PTZ Cameras



**Wireless
Cameras**

Panoramic Camera
4K Action Camera | Car Cameras
Battery Cameras
WiFi Door Bells
Hidden Cameras



**Biometric
Devices**

Fingerprint | Face | Card |
Access PIN Reader
Electromagnetic Lock
Exit Button | Break Glass
Video Door Intercom



PIXELS CONNECT PTE LTD

1013, Geylang East Ave 3, #01-144 Singapore 389728

pixelsconnect@gmail.com | www.pixelsconnect.com.sg | Tel:+65 6440 0023