



PIXELS CONNECT PTE LTD



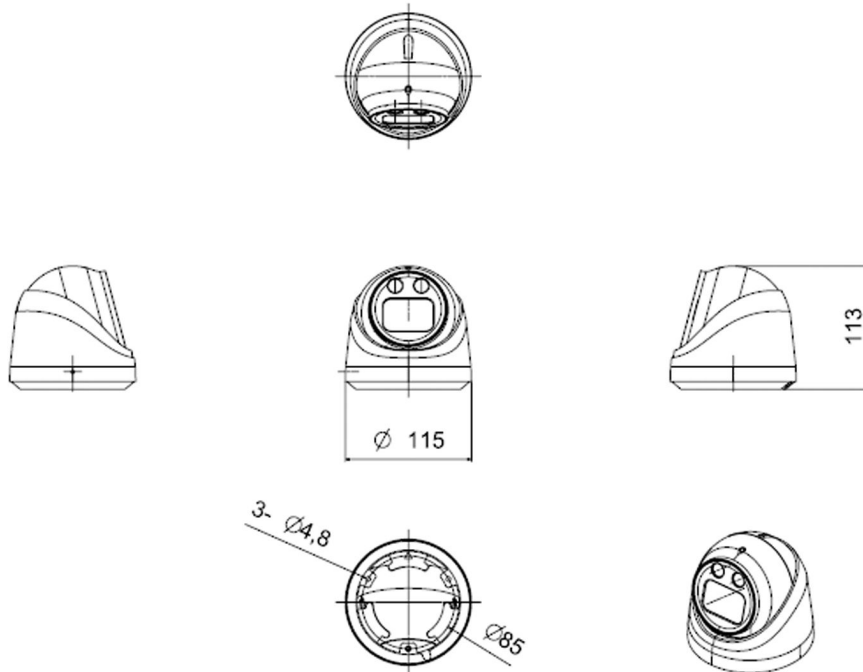
◆ SPECIFICATION

Model NO.	PIX-PCICLAGC200
Camera	
Image Sensor	1/2.9" Progressive Scan CMOS Sensor
Resolution	2MP 1080P
Effective Pixels	1920(H)*1080(V)
Compression	H.264/H.264+/H.265/H.265+/JPEG/AVI
TV System	PAL/NTSC
Electronic Shutter Time	Auto: PAL 1/25-1/10000Sec; NTSC 1/30-1/10000Sec
Minimum Illumination	0.01Lux
S/N Ratio	60dB
Scanning System	Progressive
Video Output	Network
Reset Button	Optional
Lens	
Focus Length	6mm
Focus Control	Fixed
Lens Type	Fixed
Pixels	2MP
Night Vision	
Infrared LED	42μ x 2PCS
Infrared Distance	30M
IR Status	Auto Control
IR Power On	Smart, Manual & Timed mode
Network	
Ethernet	RJ-45 (10/100Base-T)

Wireless	/
Protocol	TCP/IP,ICMP,HTTP,HTTPS,FTP,DHCP,DNS,DDNS,RTP,RTSP,RTCP, NTP
ONVIF	Support ONVIF 2.4(Profile S/T)
P2P	YES
POE	Optional, Support IEEE 802.3af
Video Delay	0.3S (Within the Lan)
Main Stream 1	2304*1296@20fps
Main Stream 2	1920*1080@30fps
Main Stream 3	1280*720@30fps
Sub Stream 1	720*480@20fps 720*480@30fps
Sub Stream 2	640*480@20fps 640*480@30fps
Sub Stream 3	/
Tri Stream	/
IE Brower	IE8-11, Google Chrome, Firefox
Smart Phone	iPhone, Android
AI Function	
Intelligent Analysis	Intrusion Detetion,motion detection based on human detection
Camera Features	
Day/Night	Color/ B&W (IR-CUT)
Image Config	Saturation/Brightness/Contrast /Sharpness, Mirror, 3D NR , White Balance, FLK(Flicker Control)
Full Color	/
Corridor Pattern	/
Defog Mode	Support
ROI	/
BLC	Support
WDR	DWDR: 50dB
Motion Detection	Support(support enable the detection based on human movement only)
Privacy Masking	3 Rectangular Zone
Recording Mode	NVR/CMS/Web
Language	Chinese Simplified, Chinese Traditional, English, Bulgarian, Polish, Arabic, German, Russian, French, Korean, Portuguese, Japanese, Turkish, Spanish, Hebrew, Italian,Nederlands,Czech, Vietnamese
Interface	
Audio	Optional Audio In/Optional Audio In/Out/Optional 1 Built-in MIC
Alarm	/

SD Card Slot	/
RS485	/
General	
Housing	IP67
Anti-cut Bracket	NO
IR Cut Filter	YES
Operation Temperature	-20°C ~ +60°C RH95% Max
Storage Temperature	-20°C ~ +60°C RH95% Max
Power Source	DC12V±10%,700mA
Dimension	∅ 115 x 113(H) mm
Weight	800g

Made in Taiwan



CCTV

Analog Camera, IP Camera
Dome & Bullet Cameras
Hidden Cameras
4K Cameras
PTZ Cameras



**Wireless
Cameras**

Panoramic Camera
4K Action Camera | Car Cameras
Battery Cameras
WiFi Door Bells
Hidden Cameras



**Biometric
Devices**

Fingerprint | Face | Card |
Access PIN Reader
Electromagnetic Lock
Exit Button | Break Glass
Video Door Intercom



PIXELS CONNECT PTE LTD

1013, Geylang East Ave 3, #01-144 Singapore 389728

pixelsconnect@gmail.com | www.pixelsconnect.com.sg | Tel:+65 6440 0023