



## PIXELS CONNECT PTE LTD



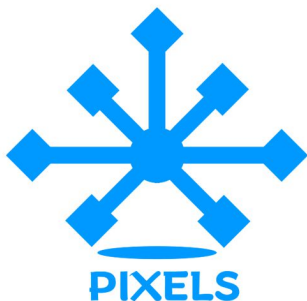
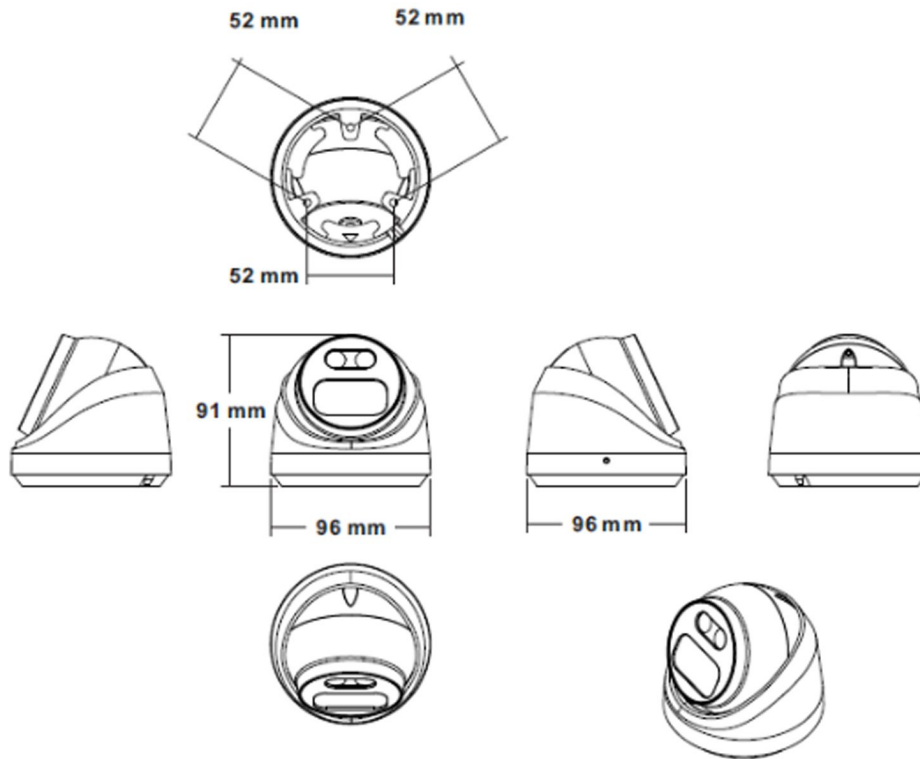
### ◆ SPECIFICATION

Model NO.	PIX-PCIP3SCAHL800
<b>Camera</b>	
Image Sensor	1/2.8" SONY Starvis Back-illuminated CMOS sensor
Resolution	8MP
Effective Pixels	3864(H)x 2192(V)
Compression	H.264/H.264+/H.265/H.265+/JPEG/AVI /MJPEG
TV System	PAL/NTSC
Electronic Shutter Time	Auto: PAL 1/25-1/10000Sec; NTSC 1/25-1/10000Sec
Minimum Illumination	0.01Lux
S/N Ratio	≥52dB
Scanning System	Progressive
Video Output	Network
Reset Button	Support
<b>Lens</b>	
Focus Length	3.6mm
Focus Control	Fixed
Lens Type	Fixed
Pixels	8MP
<b>Night Vision</b>	
Infrared LED	42μ x 2PCS
Infrared Distance	25M
IR Status	Auto Control
IR Power On	Auto Control
<b>Network</b>	
Ethernet	RJ-45 (10/100Base-T)

Wireless	/
Protocol	TCP/IP,ICMP,HTTP,HTTPS,FTP,DHCP,DNS,DDNS,RTP,RTSP,RTCP,NTP,SMTP
ONVIF	Support ONVIF 2.4(Profile S/T/G)
P2P	YES, Support QR Code
POE	Optional/Internal, Support IEEE 802.3af
Video Delay	0.3S (Within the Lan)
Main Stream 1	3840*2160 @20fps 2592*1944@30fps
Main Stream 2	2560*1920@30fps 2592*1536@30fps
Main Stream 3	2560*1440@30fps 1920*1080@30fps 1280*720@30fps
Sub Stream 1	1280*720@30fps
Sub Stream 2	720*480@30fps
Sub Stream 3	/
Tri Stream	352*288@30fps
IE Brower	IE8-11, Google Chrome (lower than Ver44), Firefox (lower than Ver53), Mac Safari(lower than version 12)
Smart Phone	iPhone, iPad, Android, Android Pad
<b>AI Function</b>	
Intelligent Analysis	Intrusion Detetion, Line Cross Detetion, Loiter Detetion, People Gather Detecion
Recognition	Face Detection and Recognition Number of faces per frame: 32 Capture rate: >99.5% Repeat capture rate: <15% False capture rate: <0.5% Number of supported faces: 30,000 Minimum detection of face pixels: 25*25 Maximum detection of face pixels: 300*300
<b>Camera Features</b>	
Day/Night	Color/ B&W (IR-CUT )
Image Config	Saturation/Brightness/Contrast /Sharpness, Mirror, 3D NR , White Balance, FLK(Flicker Control), Video Tampering
Corridor Pattern	/
Defog Mode	Support
ROI	Support
BLC	Support
WDR	HDR:120dB
Motion Detection	Support
Privacy Masking	3 Rectangular Zone
Recording Mode	NVR/CMS/Web

Language	Chinese Simplified, Chinese Traditional, English, Bulgarian, Polish, Farsi, German, Russian, French, Korean, Portuguese, Japanese, Turkish, Spanish, Hebrew, Italian, Netherlands, Czech, Vietnamese
<b>Interface</b>	
Audio	Audio IN/OUT by Line
Alarm	1 Channel Input/Output
SD Card Slot	Support Max 512GB
RS485	Support
<b>General</b>	
Housing	IP67
Anti-cut Bracket	NO
IR Cut Filter	YES
Operation Temperature	-20°C ~ +60°C RH95% Max
Storage Temperature	-20°C ~ +60°C RH95% Max
Power Source	DC12V±10%,700mA
Dimension	96 x 96 x91
Weight	800g

Made in Taiwan



**CCTV**

Analog Camera, IP Camera  
Dome & Bullet Cameras  
Hidden Cameras  
4K Cameras  
PTZ Cameras



**Wireless  
Cameras**

Panoramic Camera  
4K Action Camera | Car Cameras  
Battery Cameras  
WiFi Door Bells  
Hidden Cameras



**Biometric  
Devices**

Fingerprint | Face | Card |  
Access PIN Reader  
Electromagnetic Lock  
Exit Button | Break Glass  
Video Door Intercom



**PIXELS CONNECT PTE LTD**

1013, Geylang East Ave 3, #01-144 Singapore 389728

pixelsconnect@gmail.com | www.pixelsconnect.com.sg | Tel:+65 6440 0023